

8 7 6 5 4 3 2 1

D

C

B

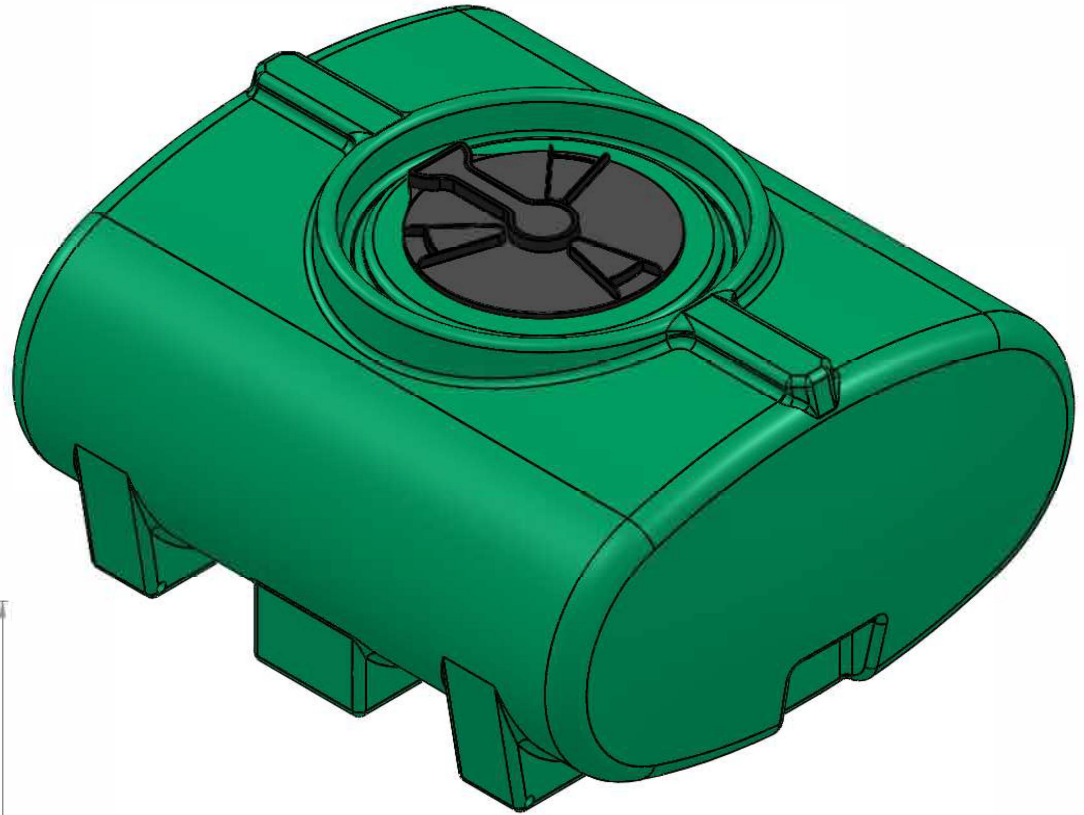
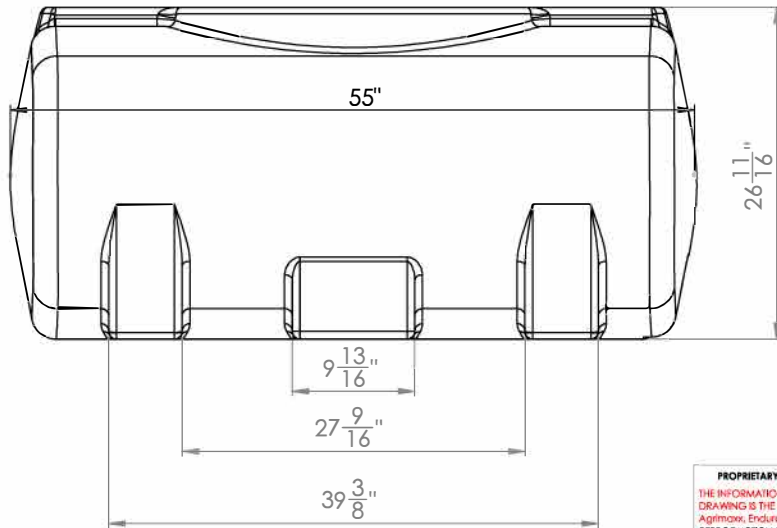
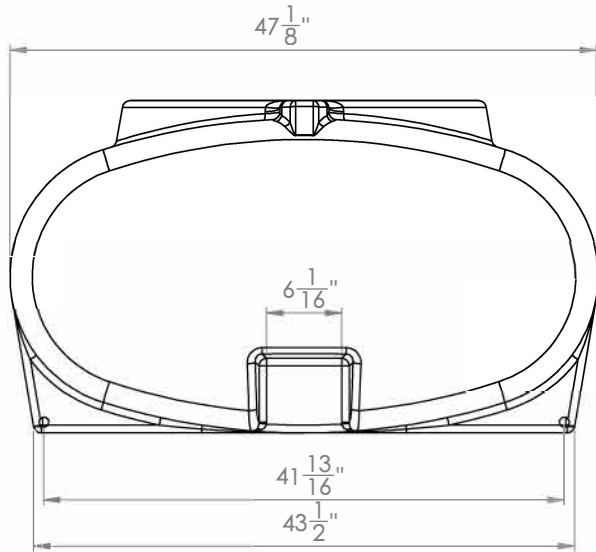
A

D

C

B

A



For more information or to get your questions answered, contact us!
www.clarionmunicipal.com or call us at : (+1) 863-261-8388 | info@oneclarion.com

PROPRIETARY AND CONFIDENTIAL
 THE INFORMATION CONTAINED IN THIS DRAWING IS THE SOLE PROPERTY OF Agriamax, Enduraplas, ANY REPRODUCTION IN PART OR AS A WHOLE WITHOUT THE WRITTEN PERMISSION OF Agriamax, Enduraplas, IS PROHIBITED.

		UNLESS OTHERWISE SPECIFIED:	NAME	DATE	Enduraplas TITLE: THF00200FS
		DIMENSIONS ARE IN INCHES	DNS	9/9/11	
		TOLERANCES:			
		FRACTIONAL ±			
		ANGULAR: MACH ± BEND ±			SIZE DWG. NO.
		TWO PLACE DECIMAL ±			B
		THREE PLACE DECIMAL ±			REV
		INTERPRET GEOMETRIC TOLERANCING PER:			1
		MATERIAL			SCALE: 1:20 WEIGHT:
		FINISH			SHEET 1 OF 1
NEXT ASSY	USED ON	DO NOT SCALE DRAWING			
APPLICATION					

8 7 6 5 4 3 2 1