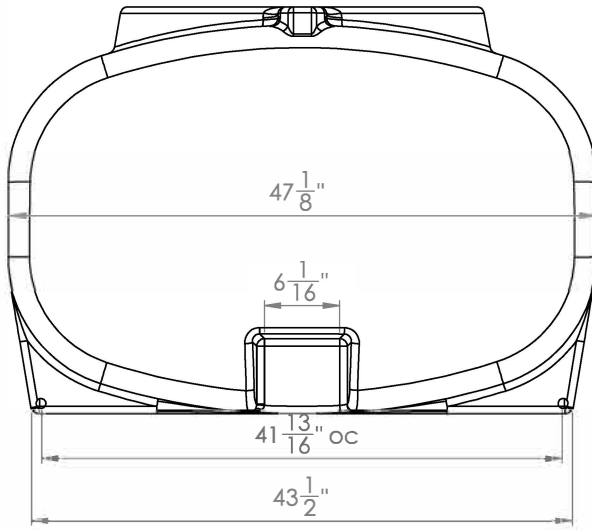


8 7 6 5 4 3 2 1

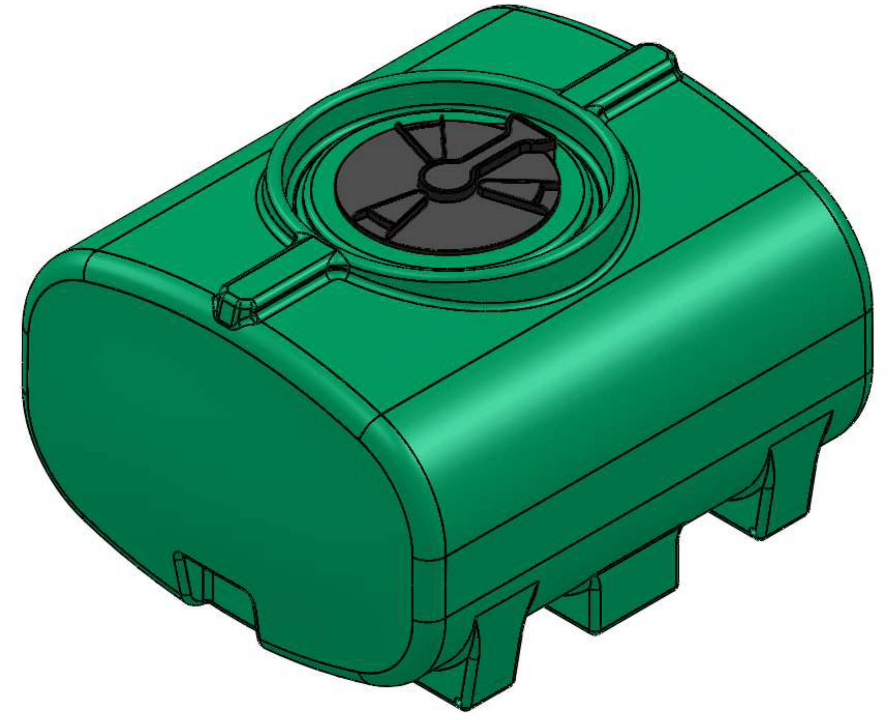
D

D



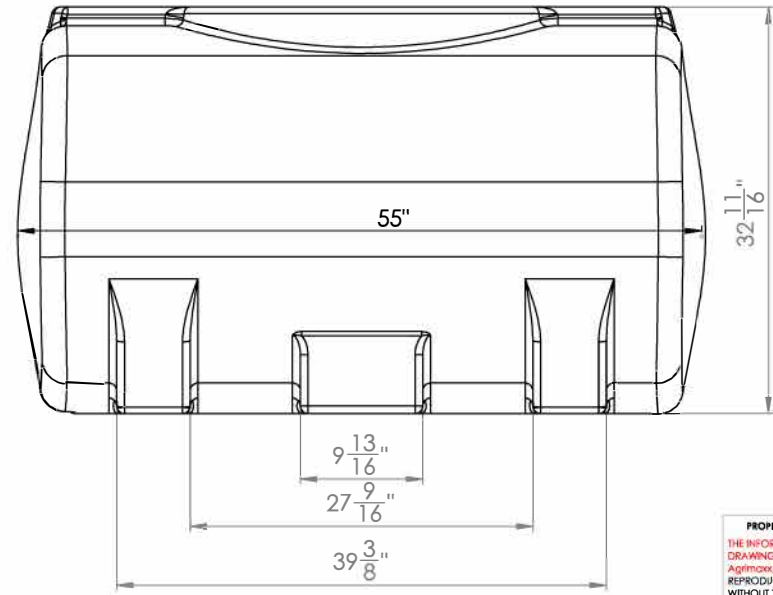
C

C



B

B



A

A

**PROPRIETARY AND CONFIDENTIAL**  
 THE INFORMATION CONTAINED IN THIS DRAWING IS THE SOLE PROPERTY OF Agriamax, Enduraplas. ANY REPRODUCTION IN PART OR AS A WHOLE WITHOUT THE WRITTEN PERMISSION OF Agriamax, Enduraplas, IS PROHIBITED.

For more information or to get your questions answered, contact us!  
[www.clarionmunicipal.com](http://www.clarionmunicipal.com) or call us at : (+1) 863-261-8388 | [info@oneclarion.com](mailto:info@oneclarion.com)

		UNLESS OTHERWISE SPECIFIED:	NAME	DATE	<b>Enduraplas</b> TITLE: <b>THF00250FS</b>
		DIMENSIONS ARE IN INCHES	DNS	9/9/11	
		TOLERANCES			
		FRACTIONAL ±			
		ANGULAR: MACH ± BEND ±			SIZE DWG. NO. REV <b>B</b> <b>1</b>
		TWO PLACE DECIMAL ±			
		THREE PLACE DECIMAL ±			SCALE: 1:20 WEIGHT: SHEET 1 OF 1
		INTERPRET GEOMETRIC TOLERANCING PER:			
		MATERIAL			
		FINISH			
NEXT ASSY	USED ON				
APPLICATION		DO NOT SCALE DRAWING			

8 7 6 5 4 3 2 1