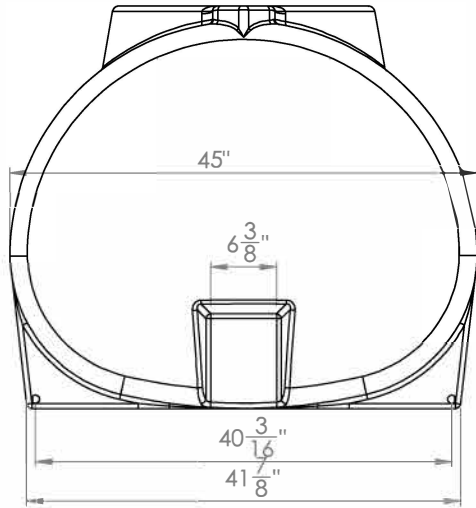


8 7 6 5 4 3 2 1

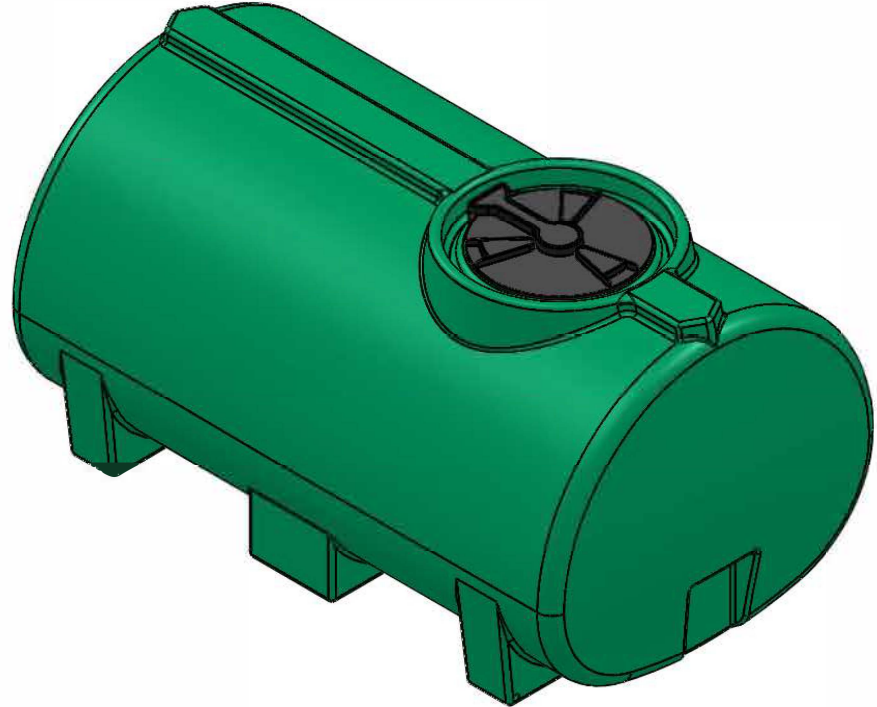
D

D



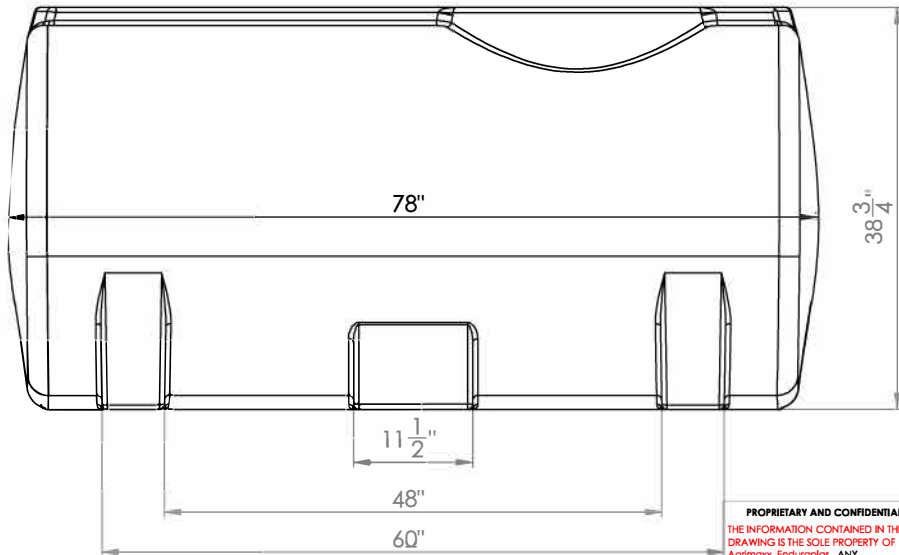
C

C



B

B



A

A

**PROPRIETARY AND CONFIDENTIAL**  
 THE INFORMATION CONTAINED IN THIS  
 DRAWING IS THE SOLE PROPERTY OF  
 Agrimax, Enduraplas, ANY  
 REPRODUCTION IN PART OR AS A WHOLE  
 WITHOUT THE WRITTEN PERMISSION OF  
 Agrimax, Enduraplas, IS PROHIBITED.

For more information or to get your questions answered, contact us!  
[www.clarionmunicipal.com](http://www.clarionmunicipal.com) or call us at : (+1) 863-261-8388 | [info@oneclarion.com](mailto:info@oneclarion.com)

		UNLESS OTHERWISE SPECIFIED:		NAME	DATE	<h2>Enduraplas</h2> <p>TITLE:</p> <h1>THF00400FS</h1>	
		DIMENSIONS ARE IN INCHES		DRAWN	DNS		9/9/11
		TOLERANCES:		CHECKED			
		FRACTIONAL ±		ENG APPR.			
		ANGULAR: MACH ± BEND ±		MFG APPR.			
		TWO PLACE DECIMAL ±		Q.A.			
		THREE PLACE DECIMAL ±		COMMENTS:			
		INTERPRET GEOMETRIC TOLERANCING PER:					
		MATERIAL					
		FINISH					
NEXT ASSY	USED ON					SIZE DWG. NO. REV	
						<b>B</b> <b>1</b>	
APPLICATION		DO NOT SCALE DRAWING				SCALE: 1:20 WEIGHT: SHEET 1 OF 1	

8 7 6 5 4 3 2 1