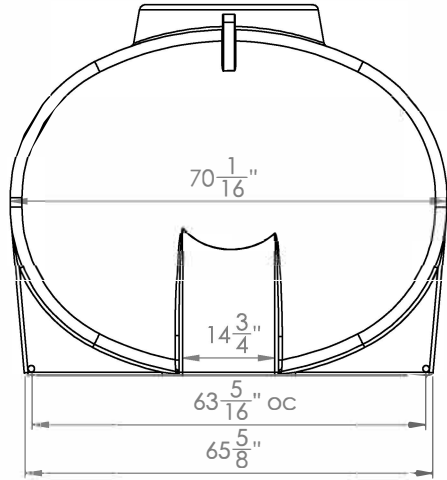


8 7 6 5 4 3 2 1

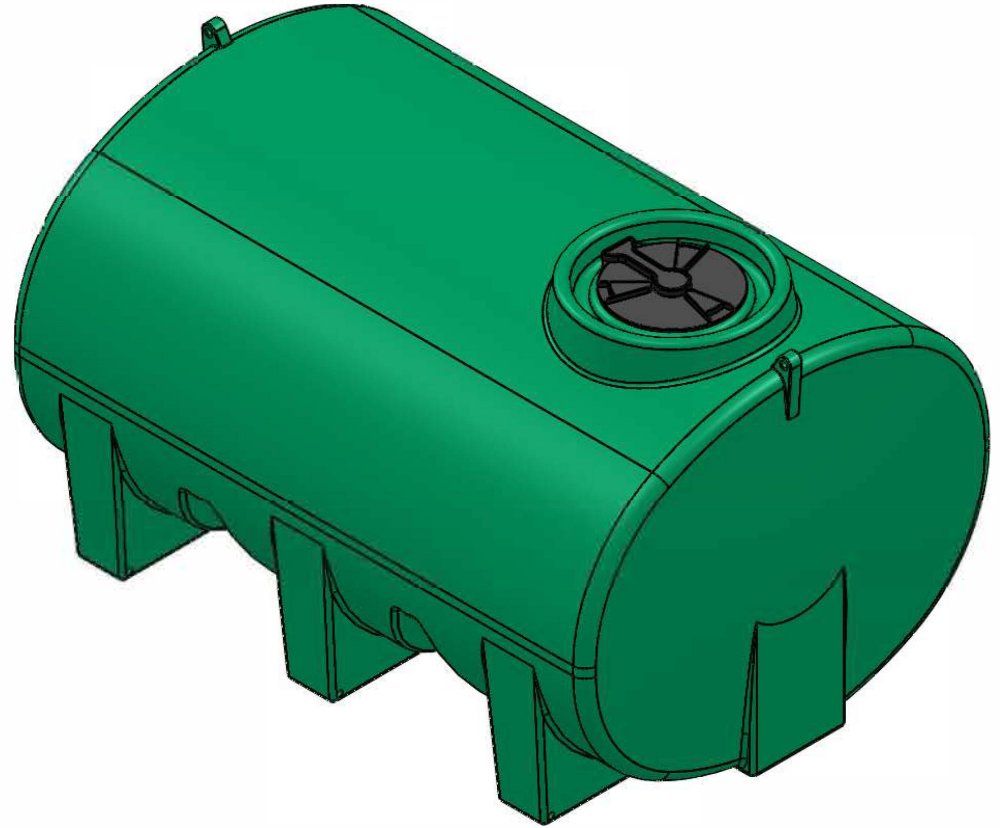
D

D



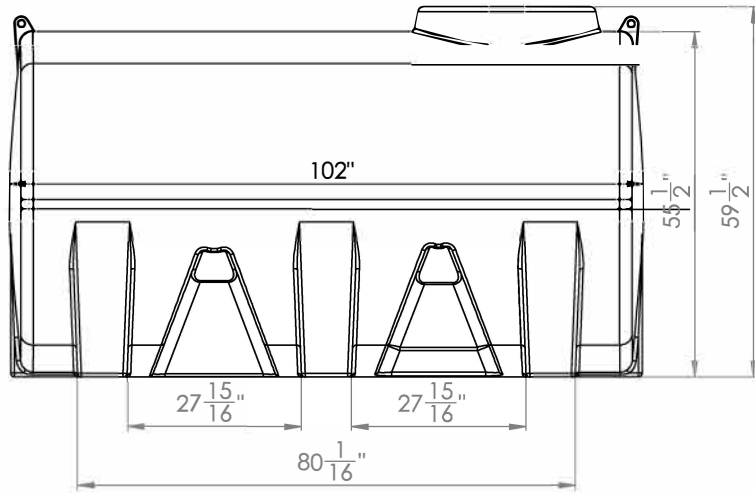
C

C



B

B



A

A

For more information or to get your questions answered, contact us!  
[www.clarionmunicipal.com](http://www.clarionmunicipal.com) or call us at : (+1) 863-261-8388 | [info@oneclarion.com](mailto:info@oneclarion.com)

**PROPRIETARY AND CONFIDENTIAL**  
 THE INFORMATION CONTAINED IN THIS DRAWING IS THE SOLE PROPERTY OF Agrimax, Enduraplas. ANY REPRODUCTION IN PART OR AS A WHOLE WITHOUT THE WRITTEN PERMISSION OF Agrimax, Enduraplas, IS PROHIBITED.

		UNLESS OTHERWISE SPECIFIED:		NAME	DATE	<h1>Enduraplas</h1> <p>TITLE:</p> <h2>THF01200FS</h2>
		DIMENSIONS ARE IN INCHES		DNS	9/9/11	
		TOLERANCES:				
		FRACTIONAL ±				
		ANGULAR: MACH ± BEND ±				SIZE
		TWO PLACE DECIMAL ±				DWG. NO.
		THREE PLACE DECIMAL ±				REV
		INTERPRET GEOMETRIC TOLERANCING PER:		COMMENTS:		1
		MATERIAL				SCALE: 1:50 WEIGHT:
		FINISH				SHEET 1 OF 1
NEXT ASSY	USED ON	APPLICATION		DO NOT SCALE DRAWING		

8 7 6 5 4 3 2 1