

8 7 6 5 4 3 2 1

D

D

C

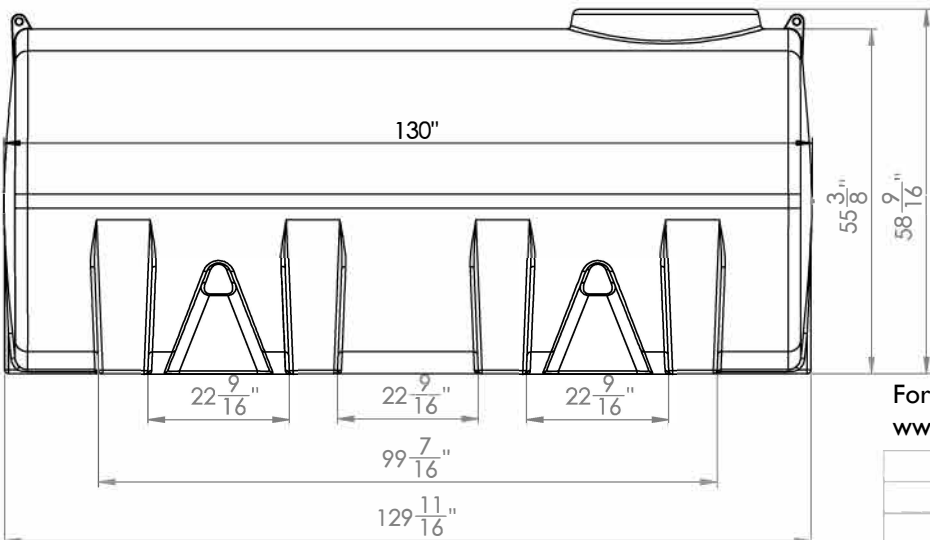
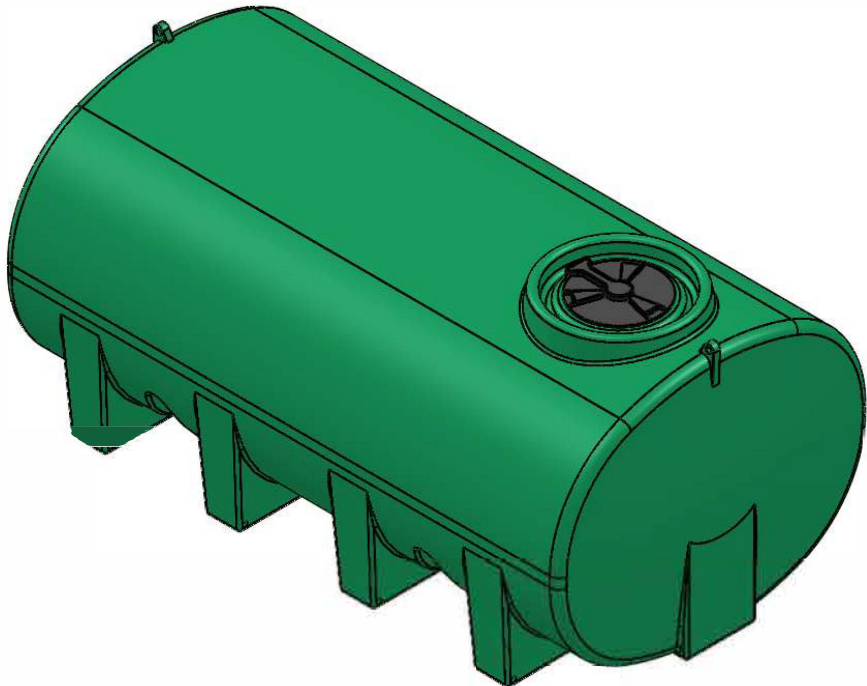
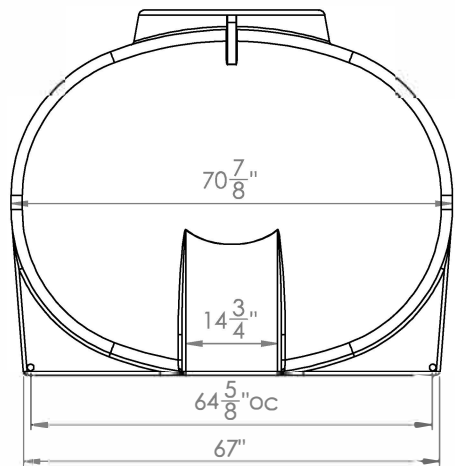
C

B

B

A

A



For more information or to get your questions answered, contact us!
www.clarionmunicipal.com or call us at : (+1) 863-261-8388 | info@oneclarion.com

PROPRIETARY AND CONFIDENTIAL
 THE INFORMATION CONTAINED IN THIS DRAWING IS THE SOLE PROPERTY OF Agrimax, Enduraplas. ANY REPRODUCTION IN PART OR AS A WHOLE WITHOUT THE WRITTEN PERMISSION OF Agrimax, Enduraplas, IS PROHIBITED.

		UNLESS OTHERWISE SPECIFIED:		NAME	DATE	Enduraplas TITLE: THF01600FS
		DIMENSIONS ARE IN INCHES		DNS	9/9/11	
		TOLERANCES:				
		FRACTIONAL ±				
		ANGULAR: MACH ± BEND ±				SIZE DWG. NO. REV B 1
		TWO PLACE DECIMAL ±				
		THREE PLACE DECIMAL ±				SCALE: 1:50 WEIGHT: SHEET 1 OF 1
		INTERPRET GEOMETRIC TOLERANCING PER:				
		MATERIAL				
		FINISH				
NEXT ASSY	USED ON	APPLICATION		DO NOT SCALE DRAWING		

8 7 6 5 4 3 2 1