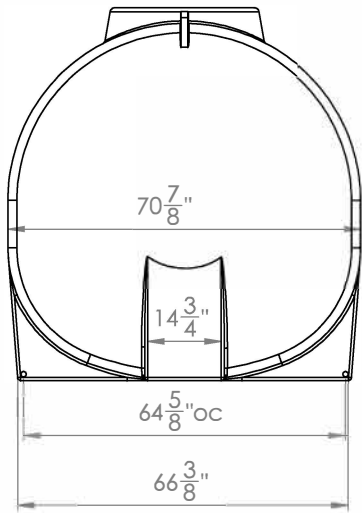


8 7 6 5 4 3 2 1

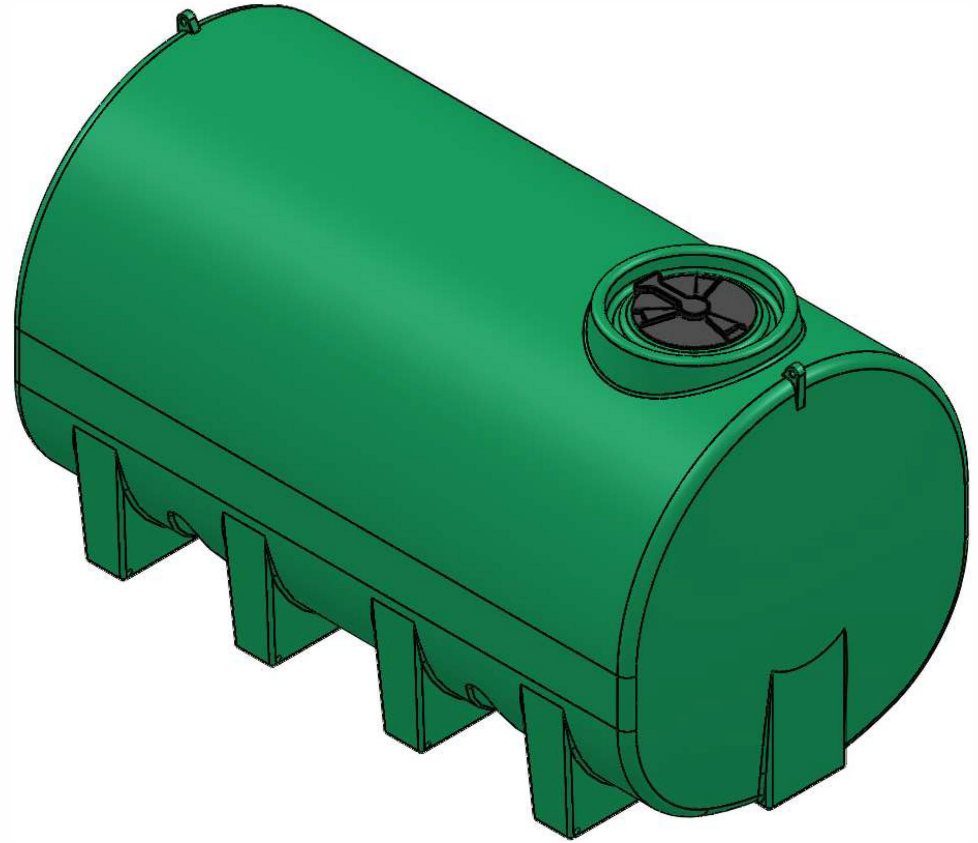
D

D



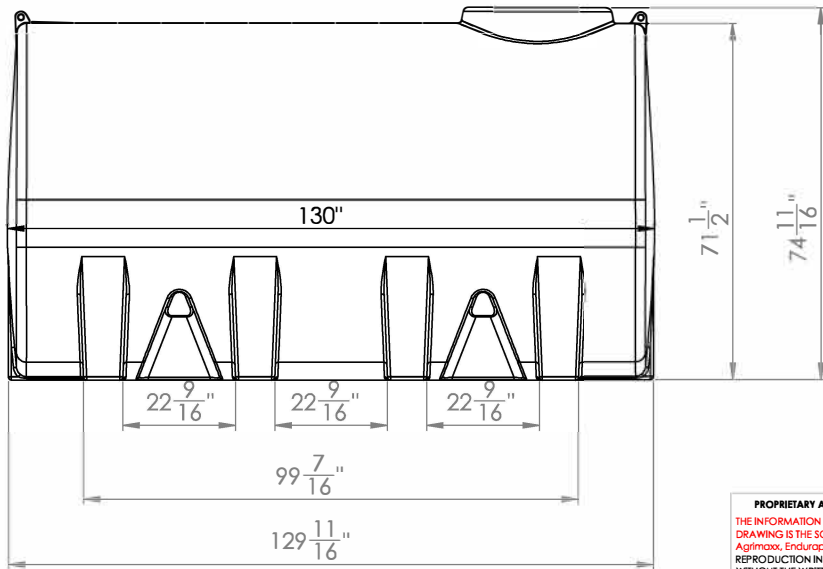
C

C



B

B



A

A

For more information or to get your questions answered, contact us!
www.clarionmunicipal.com or call us at : (+1) 863-261-8388 | info@oneclarion.com

PROPRIETARY AND CONFIDENTIAL
 THE INFORMATION CONTAINED IN THIS DRAWING IS THE SOLE PROPERTY OF Agrimax, Enduraplas. ANY REPRODUCTION IN PART OR AS A WHOLE WITHOUT THE WRITTEN PERMISSION OF Agrimax, Enduraplas, IS PROHIBITED.

UNLESS OTHERWISE SPECIFIED:		NAME	DATE	Enduraplas TITLE: THF02200FS SIZE DWG. NO. B REV 1 SCALE: 1:50 WEIGHT: SHEET 1 OF 1
DIMENSIONS ARE IN INCHES		DNS	9/9/11	
TOLERANCES:				
FRACTIONAL: ±				
ANGULAR: MACH ± BEND ±				
TWO PLACE DECIMAL ±				
THREE PLACE DECIMAL ±				
INTERPRET GEOMETRIC TOLERANCING PER:		Q.A.		
MATERIAL		COMMENTS:		
FINISH				
NEXT ASSY	USED ON			
APPLICATION	DO NOT SCALE DRAWING			

8 7 6 5 4 3 2 1