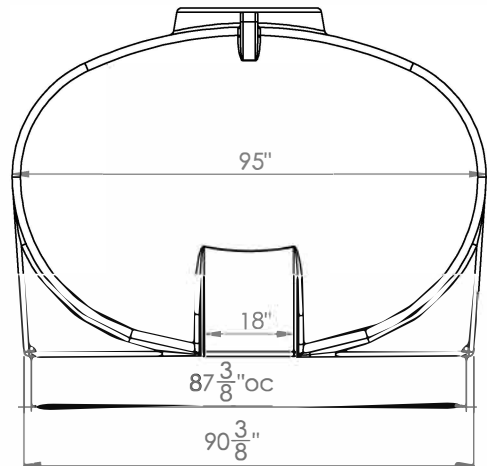


8 7 6 5 4 3 2 1

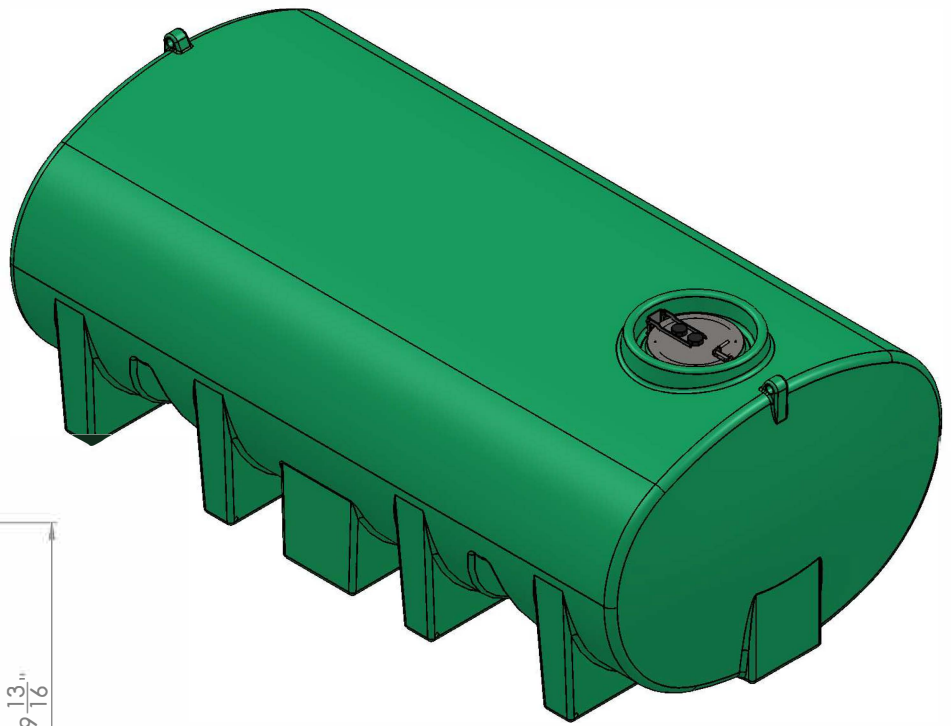
D

D



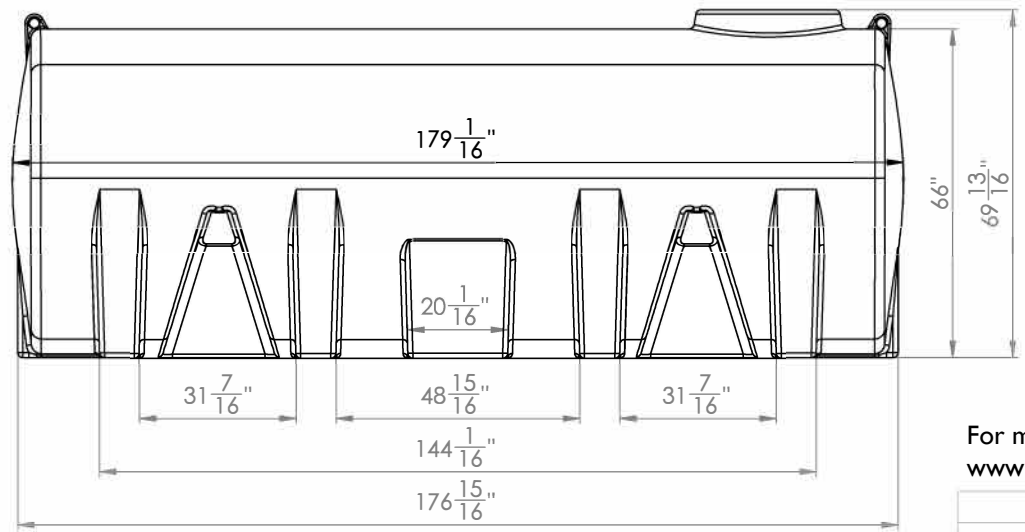
C

C



B

B



A

A

For more information or to get your questions answered, contact us!
www.clarionmunicipal.com or call us at : (+1) 863-261-8388 | info@oneclarion.com

PROPRIETARY AND CONFIDENTIAL
 THE INFORMATION CONTAINED IN THIS DRAWING IS THE SOLE PROPERTY OF Agrimax, Enduraplas. ANY REPRODUCTION IN PART OR AS A WHOLE WITHOUT THE WRITTEN PERMISSION OF Agrimax, Enduraplas, IS PROHIBITED.

		UNLESS OTHERWISE SPECIFIED:		NAME	DATE	Enduraplas TITLE: THF03500FS
		DIMENSIONS ARE IN INCHES		DNS	9/9/11	
		TOLERANCES:				
		FRACTIONAL ±				
		ANGULAR: MACH ± BEND ±				SIZE DWG. NO.
		TWO PLACE DECIMAL ±				REV
		THREE PLACE DECIMAL ±				1
		INTERPRET GEOMETRIC TOLERANCING PER:		COMMENTS:		SCALE: 1:50 WEIGHT:
		MATERIAL:				SHEET 1 OF 1
		FINISH:				
NEXT ASSY	USED ON	APPLICATION		DO NOT SCALE DRAWING		

8 7 6 5 4 3 2 1