

## Ultra-Spill Deck Bladder Attachment Installation Instructions

1 Place the Ultra-Spill Deck in the desired location for use. Remove the grate. Position the predrilled hole in the sidewall of the Ultra-Spill Deck so that it faces an aisle way or open area that measures at least four feet deep and six feet wide from the hole. Make sure the open area is free of any sharp objects that are protruding from the floor and may snag or cut the Bladder. It needs to be a level area or if it slopes it must slope away from the Ultra-Spill Deck.

2 Remove the nut from the back of the Bladder Attachment. Please note the nut and threads are left-handed and require clockwise turns to loosen/ remove the nut. Leave the gasket in place on the threaded bulkhead fitting.

Step 3: Place the Bladder Attachment up against the side of the Ultra-Spill Deck so that the threaded bulkhead fitting in the center of the back of the Bladder Attachment inserts into the matching hole on the side of the Ultra-Spill Deck. The gasket on the threaded bulkhead fitting should be trapped between the Bladder Attachment and the Spill Deck sidewall.

4 Cut the label located in the center of the Bladder Attachment along its dotted line to allow the door to swing open. Do NOT cut the rubber bands at this time. With one hand, reach into the center of

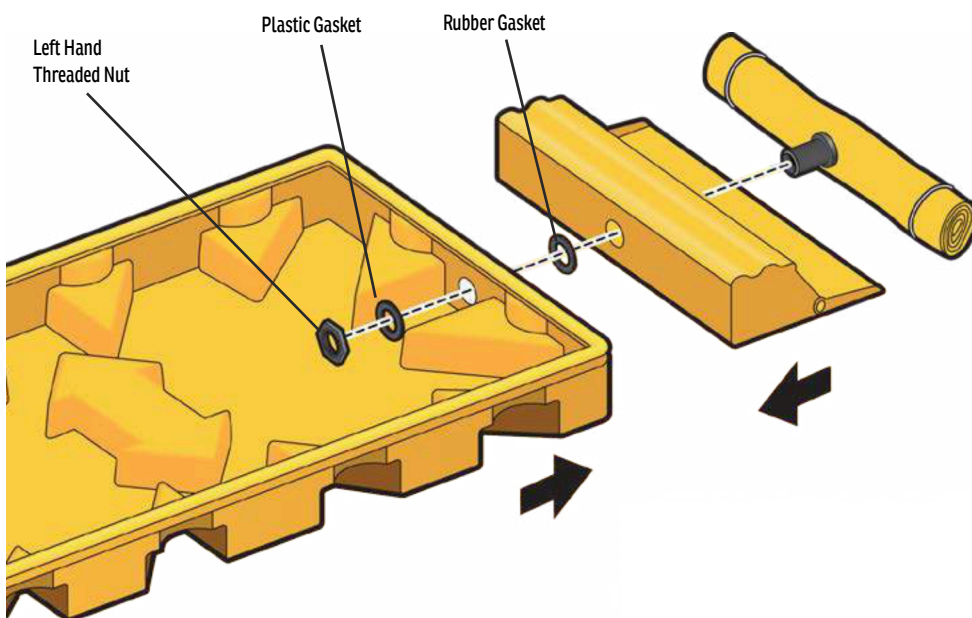
the Bladder Attachment and grab the Bladder over the area in which the head of the bulkhead fitting is located. Grip firmly so the bulkhead fitting will not twist or turn while tightening the nut inside the Ultra-Spill Deck. With the other hand, inside the Spill Deck sump, tighten the nut onto the bulkhead fitting. Tighten firmly by hand or with a wrench so that all components are firmly tightened together forming a leak tight seal. Please note the nut and threads are left-handed and require counterclockwise twisting to install the nut.

Step 5: Carefully cut the rubber bands holding the Bladder in place. The rubber bands must be cut for the Bladder to deploy. Use caution not to cut or nick the Bladder when cutting the rubber bands. Do not try to remove the rubber bands even after cutting, simply leave them in place as long as they have been cut.

Step 6: Close the door to the Bladder Attachment and make sure it will swing open freely.

Step 7: Replace the grate into the Ultra-Spill Deck.

Step 8: Keep the deployment area in front of the Bladder Attachment free of debris and unobstructed to allow the Bladder system to work effectively.



**NEVER UNFURL THE BLADDER. IT IS ROLLED UP AT THE FACTORY IN A MANNER TO ASSURE 100% DEPLOYMENT**

Never reuse Bladders that have been unfurled.

For Replacement Bladders call UltraTech at 800-353-1611 or your UltraTech distributor.