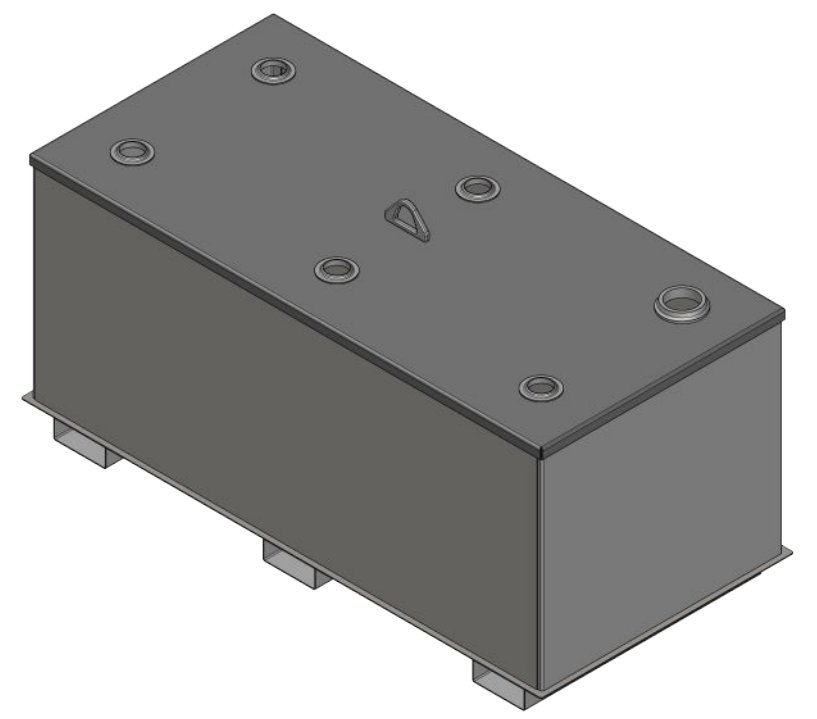
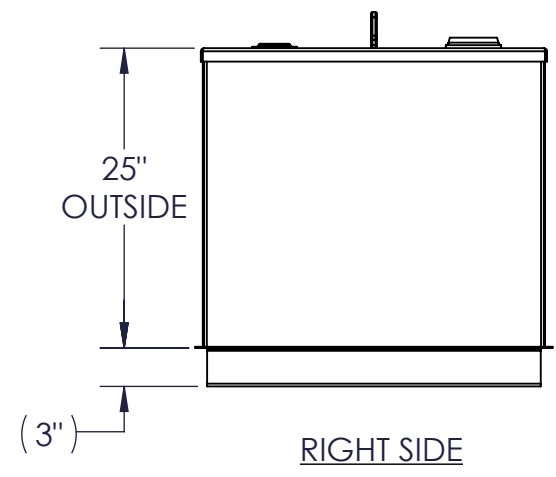
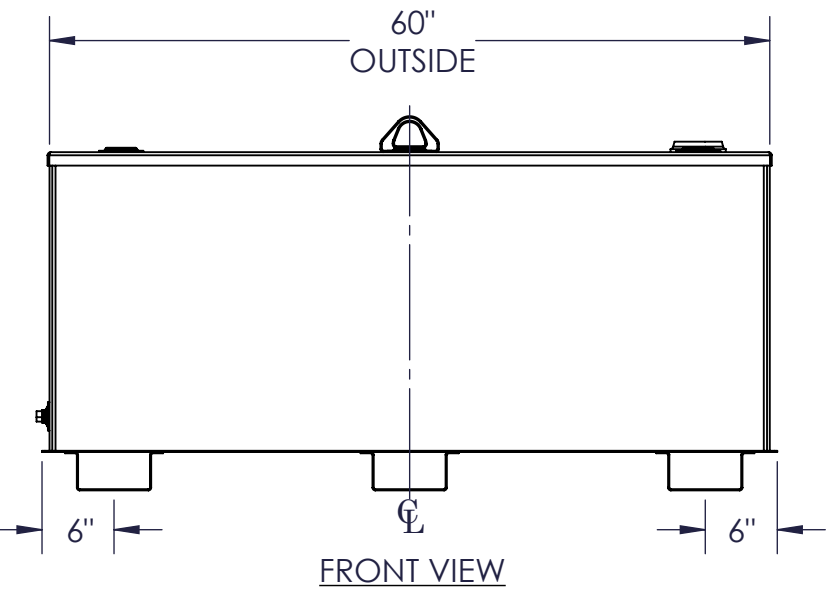
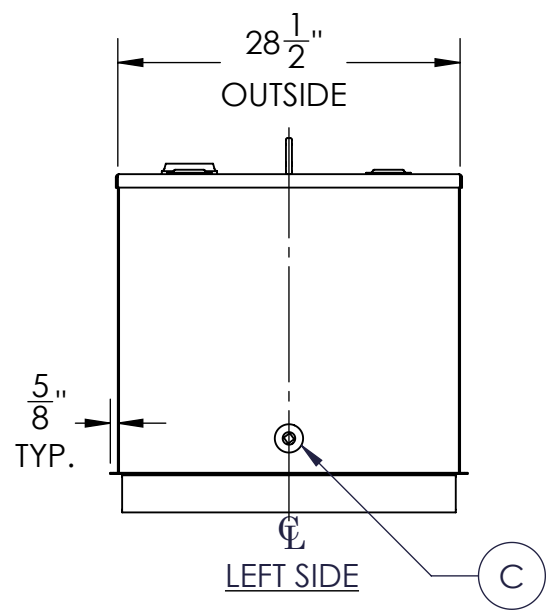


NOZZLE SCHEDULE							
ITEM	SIZE	RATING	TYPE	MATL	PROJ IN	PROJ OUT	REMARKS
A	3"	N.P.T.	W.F.	C.S.	STD.	STD.	EMERGENCY VENT OPENING
B	2"	N.P.T.	W.F.	C.S.	STD.	STD.	
C	3/4"	N.P.T.	W.F.	C.S.	STD.	STD.	DRAIN



- NOTES:
- A. MATERIAL: H.R. CARBON STEEL
  - B. DESIGN & OPERATING PRESSURE: ATMOSPHERIC.
  - C. DESIGN & OPERATING TEMPERATURE: AMBIENT.
  - D. TANK TO BE BUILT & LABELED PER U.L. SPEC. #142.
  - E. TANK TO BEAR MANUFACTURERS & U.L. LABELS ONLY.
  - F. TANK TO BE AIR TESTED WITH WATER & SOAP SUDS SOLUTION.
  - G. INTERIOR: REMOVE WELD SLAG (SHIP CLEAN & DRY).
  - H. EXTERIOR: GRAY PRIMER INCLUDED; SEE SALES ORDER FOR TOP COAT.
  - I. ALL FITTINGS TO BE PROTECTED FOR SHIPMENT.
  - J. CUSTOMER HAS THE RESPONSIBILITY TO VERIFY ALL DIMENSIONS.

APPROVAL FOR CONSTRUCTION  
 SCHEDULE A - MASTER TERMS &  
 CONDITION OF SALE\*

APPROVED AS DRAWN.

APPROVED WITH NOTED CHANGES,  
 CONSTRUCTION WILL BE SCHEDULED  
 WHEN SIGNED DRAWING AND  
 CONFIRMED ORDER ARE RECEIVED.

SIGNATURE: \_\_\_\_\_

DATE: \_\_\_\_\_

SALES ORDER: -			WEIGHT (LBS): 314
 www.oneclarion.com		PO Box 700338 Wabasso, FL 32970 863-261-8388 info@oneclarion.com	
		All units inches unless stated otherwise	
DESCRIPTION: 180 GALLON RECTANGULAR UL 142 SINGLE WALL TANK			
CUSTOMER:			P.O.#
DATE: 2/7/2023	SCALE:	DWG.# FTSBS-0180	DRAWN BY: AJC CHKD BY: -