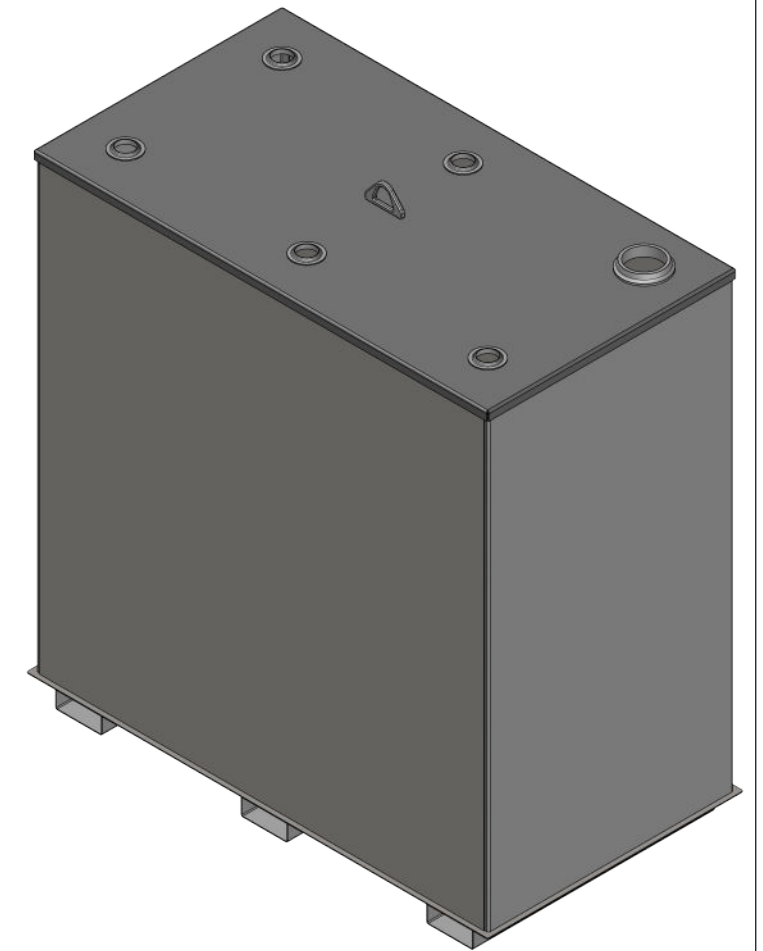
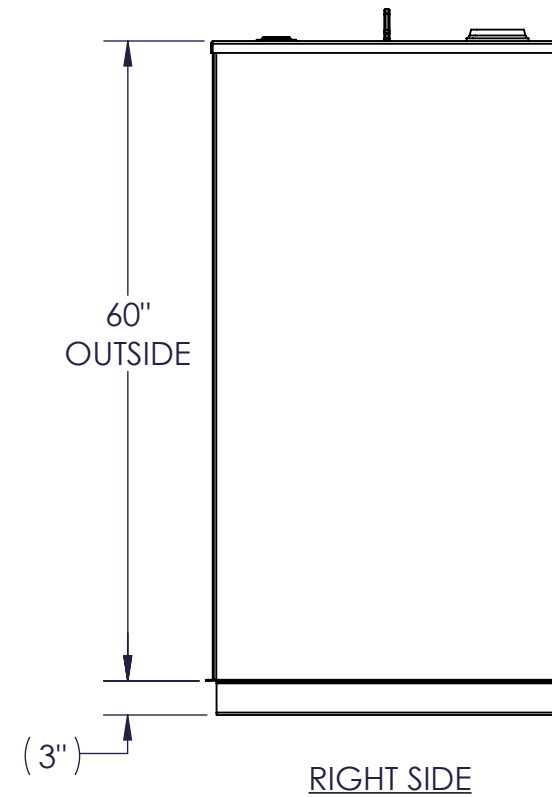
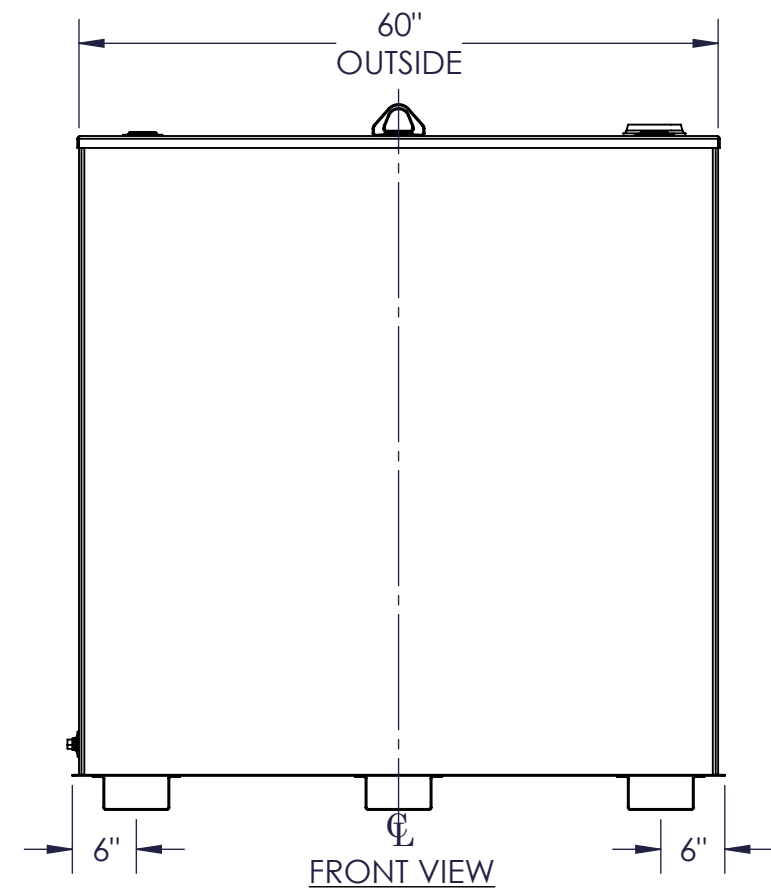
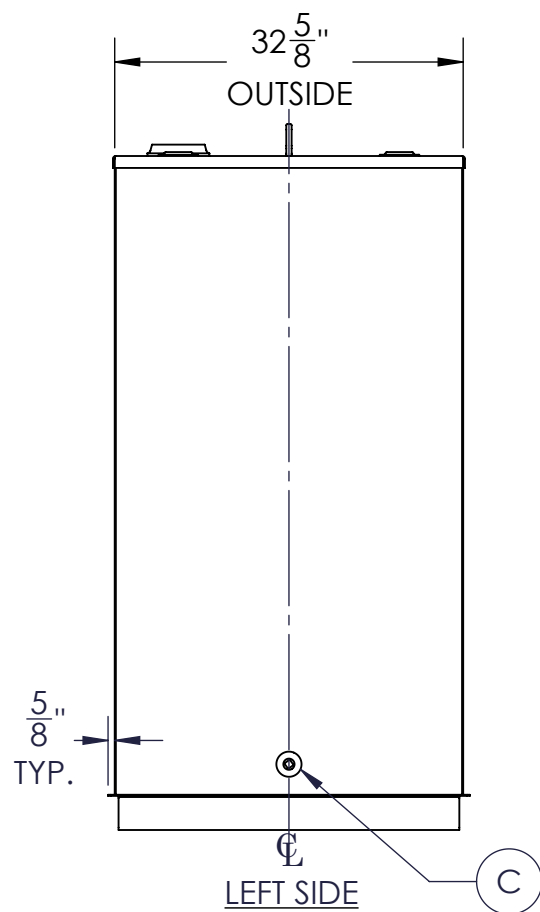


NOZZLE SCHEDULE							
ITEM	SIZE	RATING	TYPE	MATL	PROJ IN	PROJ OUT	REMARKS
A	4"	N.P.T.	H.CPL.	SS	STD.	STD.	EMERGENCY VENT OPENING
B	2"	N.P.T.	W.F.	SS	STD.	STD.	
C	3/4"	N.P.T.	W.F.	SS	STD.	STD.	DRAIN



**NOTES:**

- A. MATERIAL: H.R. CARBON STEEL
- B. DESIGN & OPERATING PRESSURE: ATMOSPHERIC.
- C. DESIGN & OPERATING TEMPERATURE: AMBIENT.
- D. TANK TO BE BUILT & LABELED PER U.L. SPEC. #142.
- E. TANK TO BEAR MANUFACTURERS & U.L. LABELS ONLY.
- F. TANK TO BE AIR TESTED WITH WATER & SOAP SUDS SOLUTION.
- G. INTERIOR: REMOVE WELD SLAG (SHIP CLEAN & DRY).
- H. EXTERIOR: GRAY PRIMER INCLUDED; SEE SALES ORDER FOR TOP COAT.
- I. ALL FITTINGS TO BE PROTECTED FOR SHIPMENT.
- J. CUSTOMER HAS THE RESPONSIBILITY TO VERIFY ALL DIMENSIONS.

APPROVAL FOR CONSTRUCTION  
SCHEDULE A - MASTER TERMS &  
CONDITION OF SALE\*

- APPROVED AS DRAWN.
  - APPROVED WITH NOTED CHANGES,  
CONSTRUCTION WILL BE SCHEDULED  
WHEN SIGNED DRAWING AND  
CONFIRMED ORDER ARE RECEIVED.
- SIGNATURE: \_\_\_\_\_  
DATE: \_\_\_\_\_

**SALES ORDER: -**

			PO Box 700338 Wabasso, FL 32970 863-261-8388 info@oneclarion.com	WEIGHT (LBS): <b>537</b>  All units inches unless stated otherwise
DESCRIPTION: 500 GALLON RECTANGULAR UL 142 SINGLE WALL TANK				
CUSTOMER:			P.O.#	
DATE: 2/8/2023	SCALE:	DWG.# FTSBS-0500	DRAWN BY: <b>AJC</b> CHKD BY: _____	