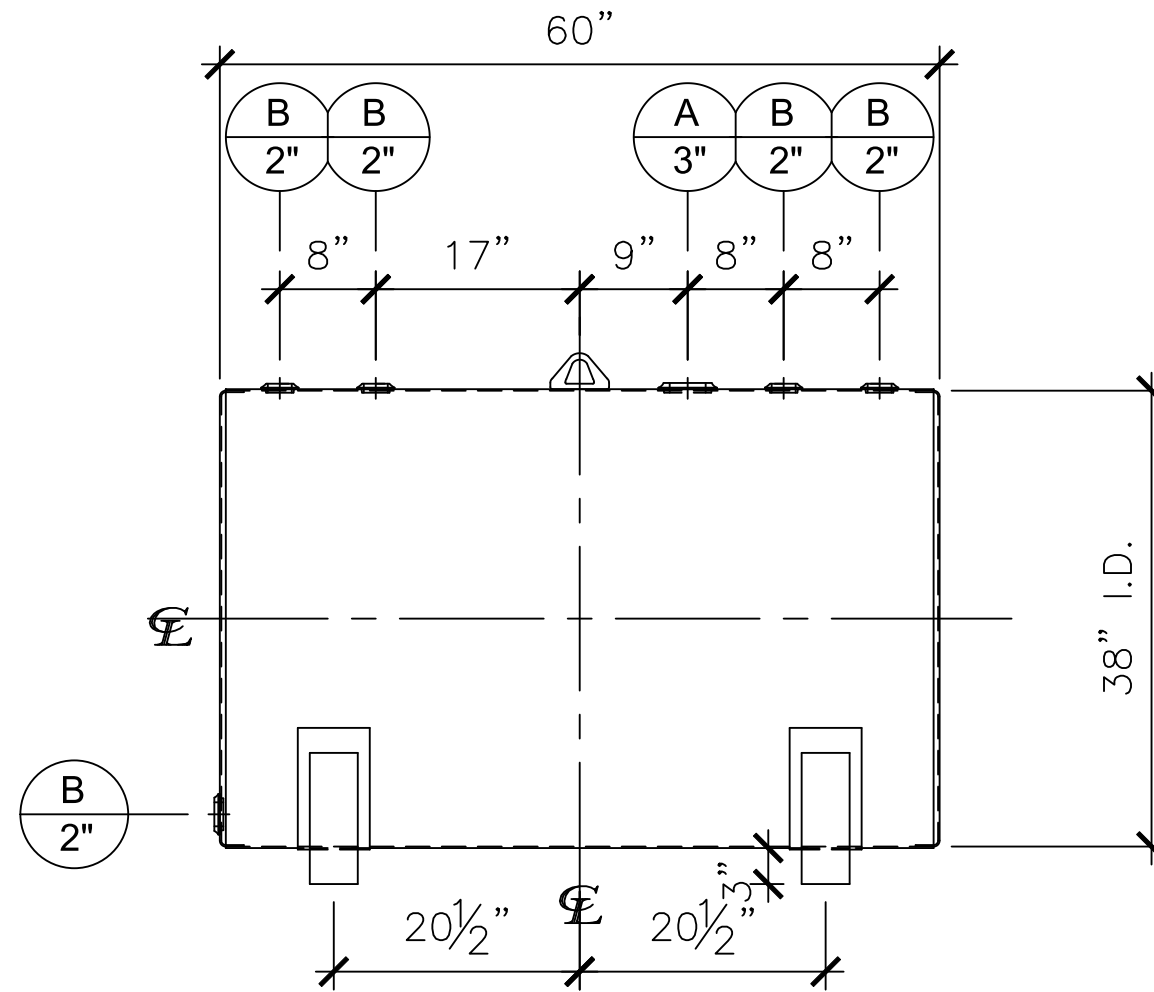
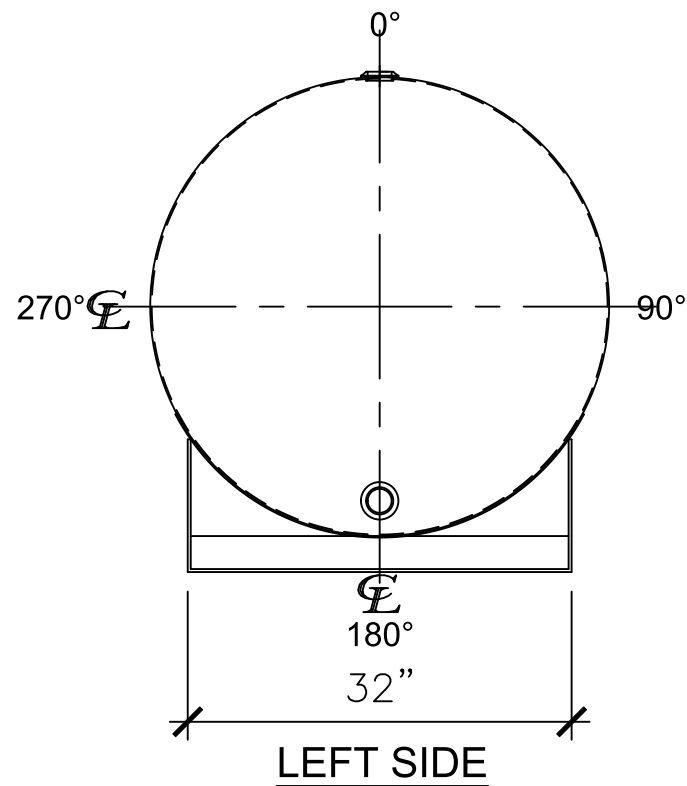


NOZZLE SCHEDULE						
ITEM	SIZE	RATING	TYPE	MATL	REMARKS	NOTES
A	3"	N.P.T.	W.F.	C.S.	-	EMERGENCY VENT OPENING
B	2"	N.P.T.	W.F.	C.S.	-	-



NOTES:

- A. Material: H.R. Carbon Steel.
- B. Design Pressure: Atmospheric.
- C. Design Temperature: Ambient.
- D. Built & Labeled per U.L. Spec. #142.
- E. Exterior: Gray primer included; see Sales Order for top coat.
- F. All Fittings to be protected for shipment.
- G. Customer to verify nozzle sizes, locations and quantities.
- H. Saddles/skids may require shimming or grouting during installation.

APPROVAL FOR CONSTRUCTION
SCHEDULE A - MASTER TERMS &
CONDITION OF SALE*

APPROVED AS DRAWN.

APPROVED WITH NOTED CHANGES,
CONSTRUCTION WILL BE SCHEDULED
WHEN SIGNED DRAWING AND
CONFIRMED ORDER ARE RECEIVED.

SIGNATURE: _____

DATE: _____

SALES ORDER: -		WEIGHT (LBS): 450
 www.clarionmunicipal.com		All units inches unless stated otherwise
DESCRIPTION: 300 Gallon 38" I.D. x 5'-0" O.A.L. Single Wall Bracket Tank		
CUSTOMER: -	P.O.# -	
DATE: -	SCALE:	DWG.# NB00300SWB03812G
		DRAWN BY: TC SHEET 1 OF 1