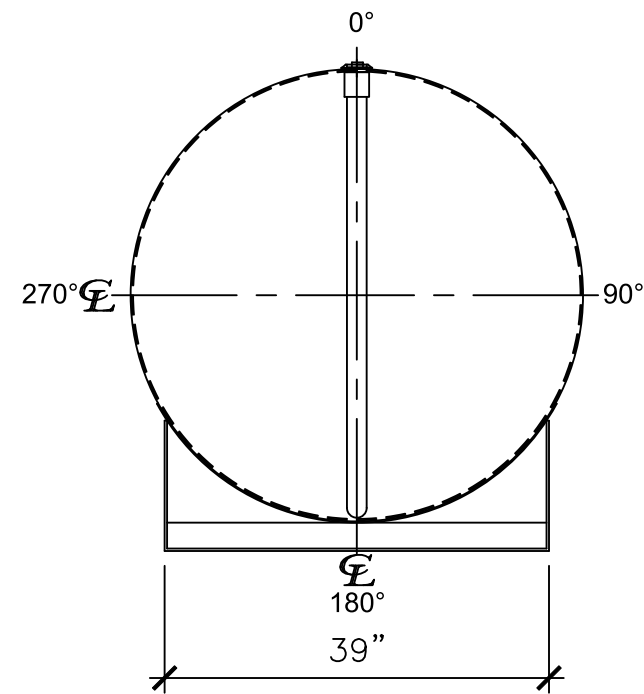
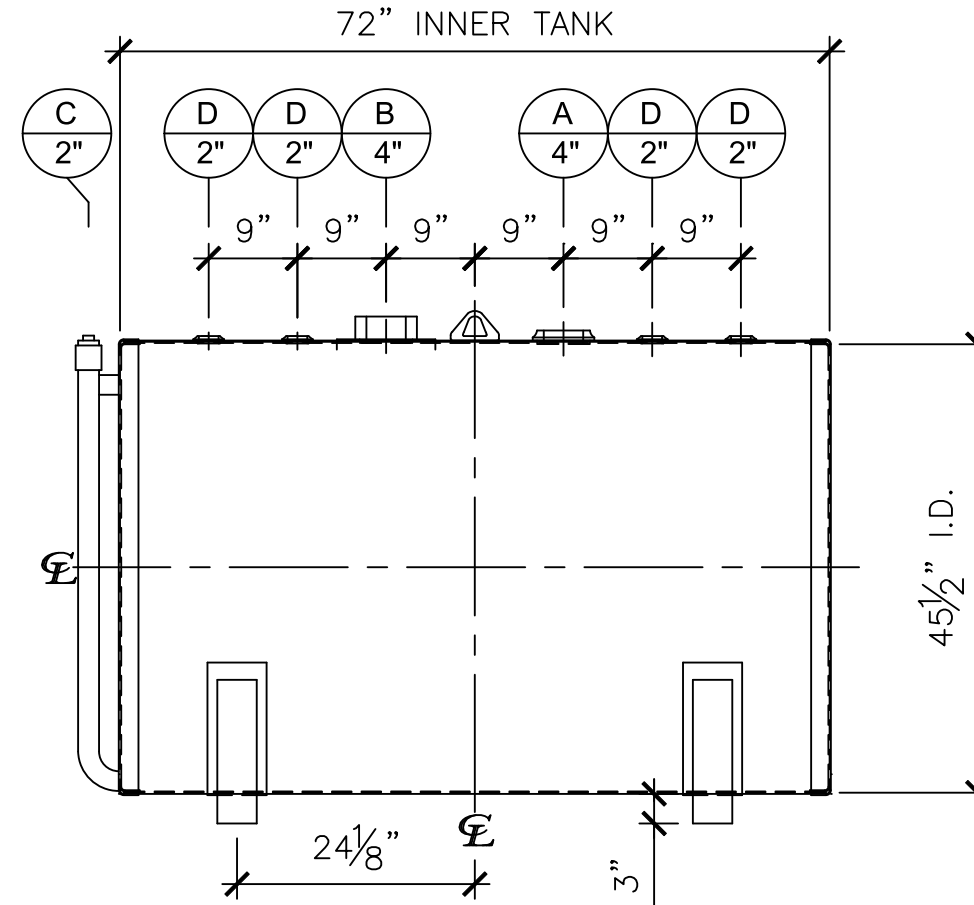


**NOZZLE SCHEDULE**

ITEM	SIZE	RATING	TYPE	MATL	REMARKS	NOTES
A	4"	N.P.T.	W.F.	C.S.	PRIMARY	EMERGENCY VENT OPENING
B	4"	N.P.T.	H.CPL.	C.S.	SECONDARY	EMERGENCY VENT OPENING
C	2"	N.P.T.	PIPE	C.S.		MONITORING PORT
D	2"	N.P.T.	W.F.	C.S.		



**LEFT SIDE**



**FRONT VIEW**

**NOTES:**

- A. Material: H.R. Carbon Steel.
- B. Design Pressure: Atmospheric.
- C. Design Temperature: Ambient.
- D. Built & Labeled per U.L. Spec. #142.
- E. Exterior: Gray primer included; see Sales Order for top coat.
- F. All Fittings to be protected for shipment.
- G. Customer to verify nozzle sizes, locations and quantities.
- H. Saddles/skids may require shimming or grouting during installation.

APPROVAL FOR CONSTRUCTION SCHEDULE A - MASTER TERMS & CONDITION OF SALE*  <input type="checkbox"/> APPROVED AS DRAWN.  <input type="checkbox"/> APPROVED WITH NOTED CHANGES, CONSTRUCTION WILL BE SCHEDULED WHEN SIGNED DRAWING AND CONFIRMED ORDER ARE RECEIVED.  SIGNATURE: _____  DATE: _____		SALES ORDER: -   www.clarionmunicipal.com  DESCRIPTION: 500 Gallon 45 1/2" I.D. x 6'-0" O.A.L. Double Wall Bracket Tank	WEIGHT (LBS): 1100  All units inches unless stated otherwise
CUSTOMER: -		P.O.# -	
DATE: -	SCALE: -	DWG.# NB00500DWB45512G	DRAWN BY: ,' SHEET 1 OF 1