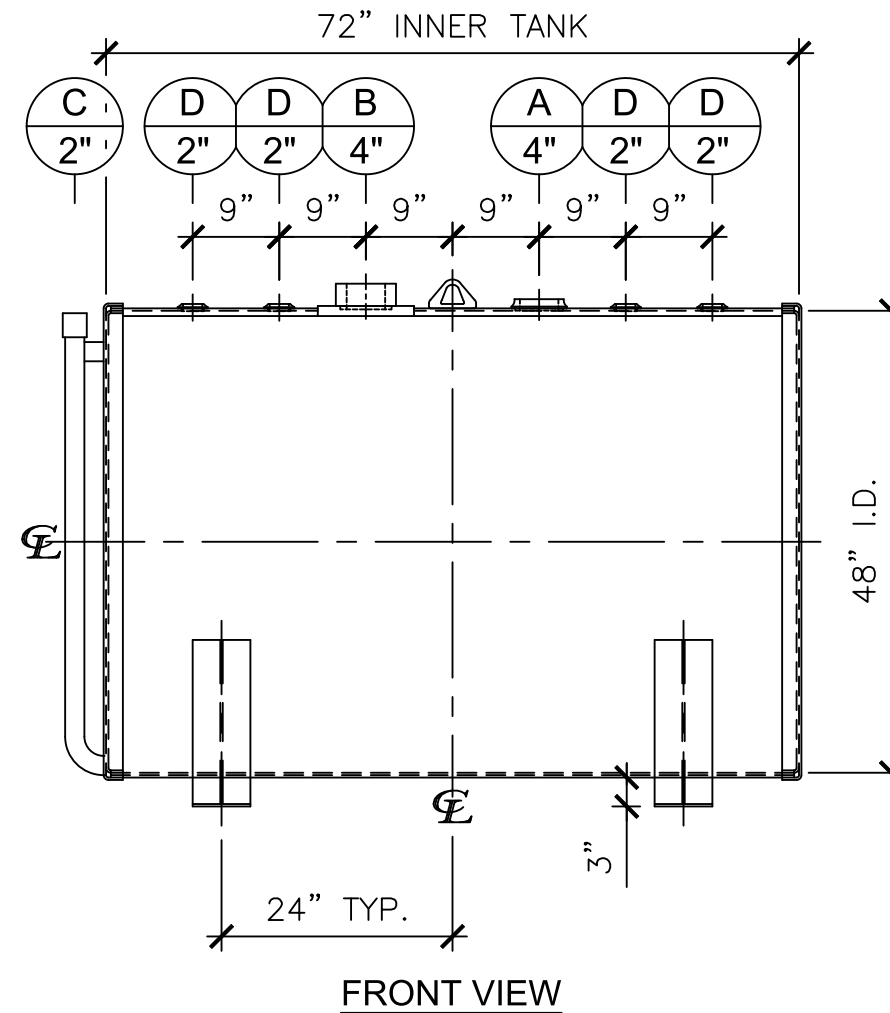
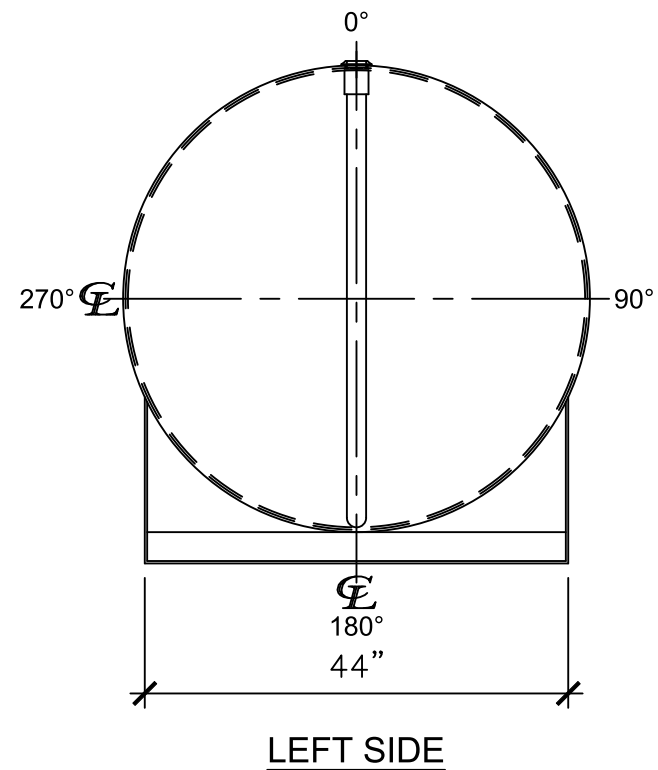


NOZZLE SCHEDULE

ITEM	SIZE	RATING	TYPE	MATL	PROJ. IN	PROJ. OUT	REMARKS	NOTES
A	4"	N.P.T.	W.F.	C.S.	STD.	STD.	PRIMARY	EMERGENCY VENT OPENING
B	4"	N.P.T.	H.CPL.	C.S.	STD.	STD.	SECONDARY	EMERGENCY VENT OPENING
C	2"	N.P.T.	PIPE	C.S.	STD.	STD.	-	MONITORING PORT
D	2"	N.P.T.	W.F.	C.S.	STD.	STD.	-	-



NOTES:

- A. Material: H.R. Carbon Steel.
- B. Design Pressure: Atmospheric.
- C. Design Temperature: Ambient.
- D. Built & Labeled per U.L. #142 & SwRI 97-04 specifications.
- E. Exterior: Blast & Apply one shop coat WHITE enamel.
- F. All Fittings to be protected for shipment.
- G. Customer to verify Nozzle sizes, locations, and quantities.
- H. Saddles/Skids may require shimming or grouting during installation.

APPROVAL FOR CONSTRUCTION
SCHEDULE A - MASTER TERMS &
CONDITION OF SALE*

- APPROVED AS DRAWN.
 - APPROVED WITH NOTED CHANGES. CONSTRUCTION WILL BE SCHEDULED WHEN SIGNED DRAWING AND CONFIRMED ORDER ARE RECEIVED.
- SIGNATURE: _____
DATE: _____

SALES ORDER:

WEIGHT (LBS): 1200



www.clarionmunicipal.com

All units inches unless stated otherwise

DESCRIPTION:

550 GALLON 48" I.D. x 6'-0" O.A.L. FLAMESHIELD BRACKET TANK

CUSTOMER:

P.O.#

DATE: 10/25/23

SCALE:

DWG.#

NB00550FSD04812G

DRAWN BY: WR

SHEET 1 OF 1