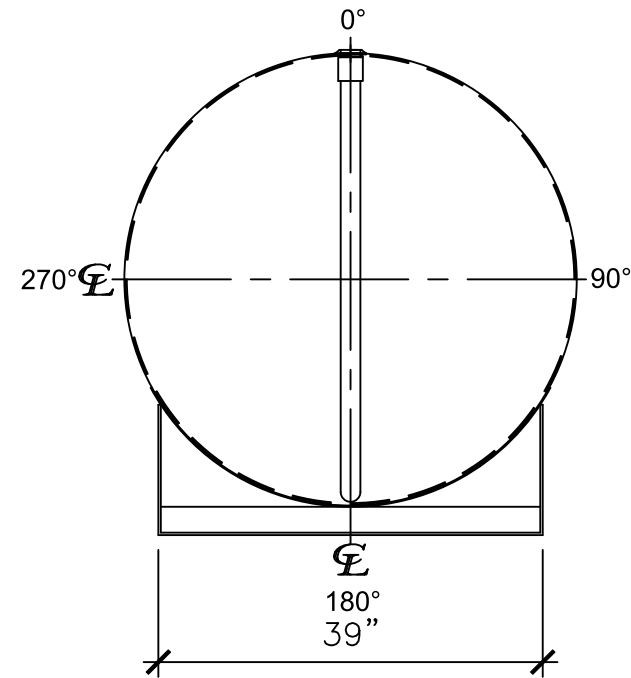
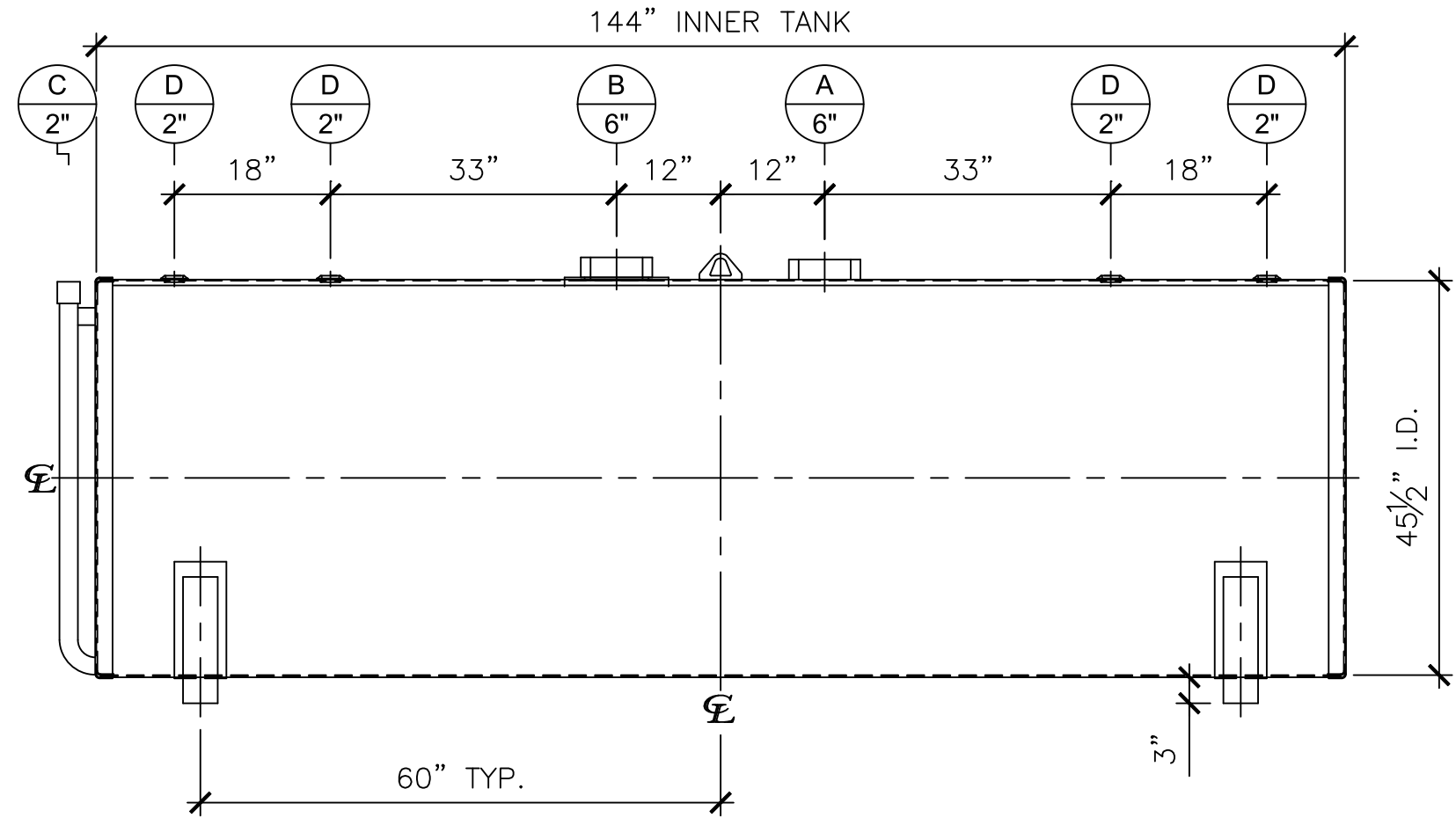


NOZZLE SCHEDULE

| ITEM | SIZE | RATING | TYPE | MATL | REMARKS | NOTES |
|------|------|--------|--------|------|-----------|------------------------|
| A | 6" | N.P.T. | H.CPL. | C.S. | PRIMARY | EMERGENCY VENT OPENING |
| B | 6" | N.P.T. | H.CPL. | C.S. | SECONDARY | EMERGENCY VENT OPENING |
| C | 2" | PIPE | W.F. | C.S. | - | MONITORING PORT |
| D | 2" | N.P.T. | W.F. | C.S. | - | - |



LEFT SIDE



FRONT VIEW

NOTES:

- A. Material: H.R. Carbon Steel.
- B. Design Pressure: Atmospheric.
- C. Design Temperature: Ambient.
- D. Built & Labeled per U.L. Spec. #142.
- E. Exterior: Gray primer included; see Sales Order for top coat.
- F. All Fittings to be protected for shipment.
- G. Customer to verify nozzle sizes, locations, and quantities.
- H. Saddles/skids may require shimming or grouting during installation.

APPROVAL FOR CONSTRUCTION
SCHEDULE A - MASTER TERMS &
CONDITION OF SALE*

APPROVED AS DRAWN.

APPROVED WITH NOTED CHANGES,
CONSTRUCTION WILL BE SCHEDULED
WHEN SIGNED DRAWING AND
CONFIRMED ORDER ARE RECEIVED.

SIGNATURE: _____

DATE: _____

| | | |
|--|----------|--|
| SALES ORDER: | | WEIGHT (LBS): 2050 |
| www.clarionmunicipal.com | | All units inches unless stated otherwise |
| DESCRIPTION: 1000 GALLON 45 1/2" I.D. X 12'-0" O.A.L. DOUBLE WALL BRACKET TANK | | |
| CUSTOMER: - | | P.O.#: - |
| DATE: - | SCALE: - | DWG.#: NB01000DWB45510G |
| | | DRAWN BY: WR SHEET 1 OF 1 |