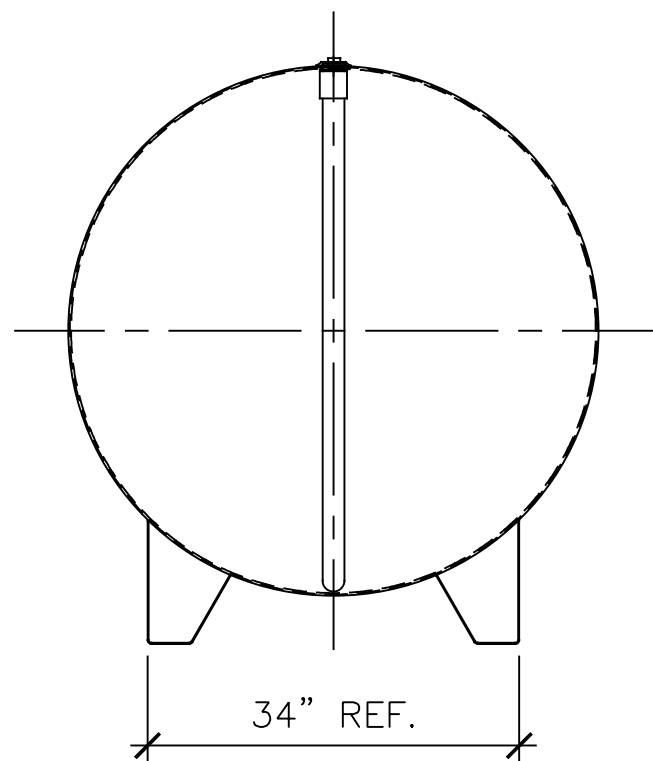
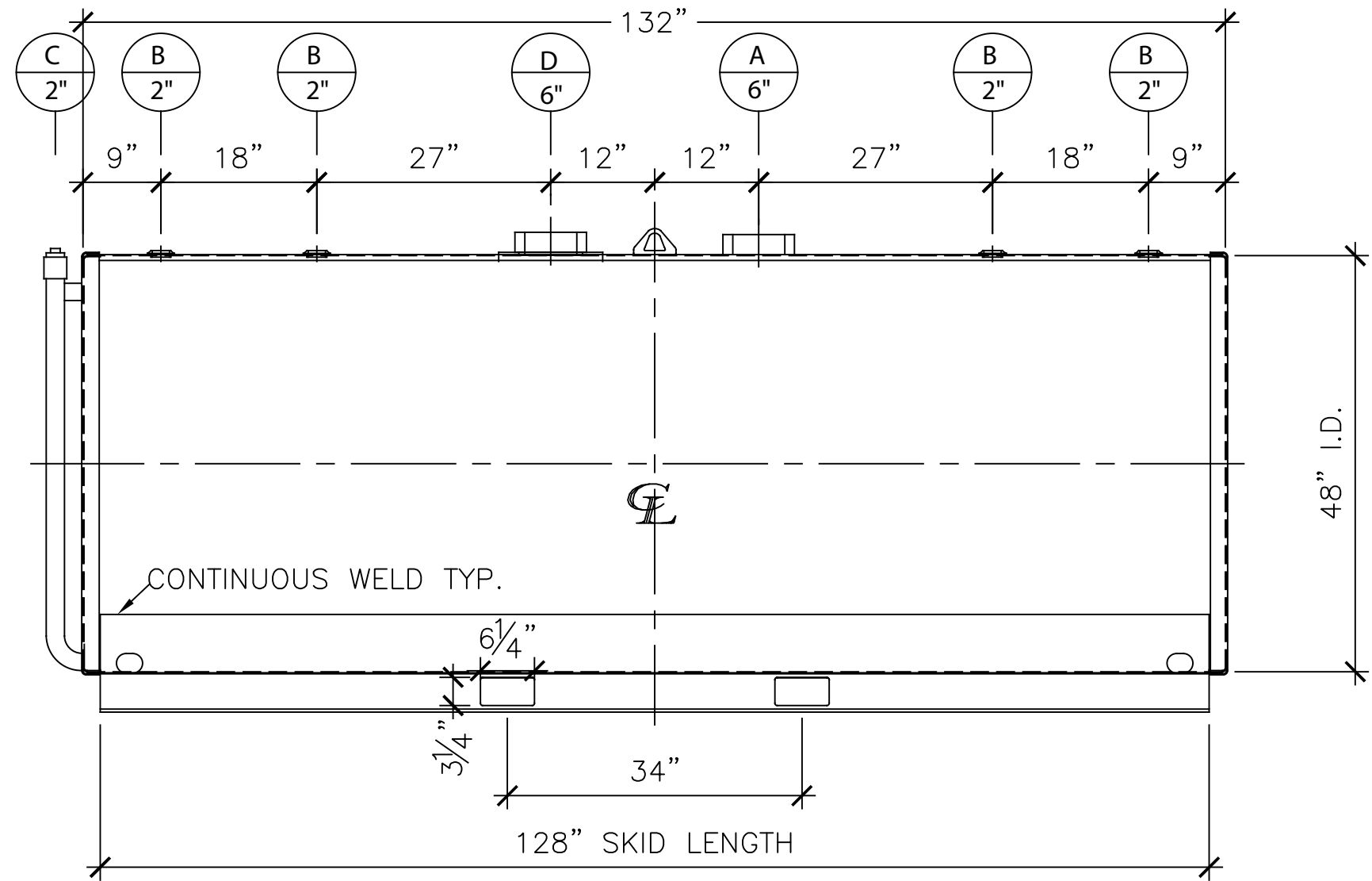


NOZZLE SCHEDULE						
ITEM	SIZE	RATING	TYPE	MATL	REMARKS	NOTES
A	6"	N.P.T.	H.CPL.	C.S.	PRIMARY	EMERGENCY VENT OPENING
B	2"	N.P.T.	W.F.	C.S.		
C	2"	N.P.T.	PIPE	C.S.		INTERSTICE MONITOR
D	6"	N.P.T.	H.CPL.	C.S.	SECONDARY	EMERGENCY VENT OPENING



LEFT SIDE



FRONT VIEW

**NOTES:**

- A. Material: H.R. Carbon Steel.
- B. Design Pressure: Atmospheric.
- C. Design Temperature: Ambient.
- D. Built & Labeled per U.L. Spec. #142.
- E. Exterior: Gray primer included; see Sales Order for top coat.
- F. All Fittings to be protected for shipment
- G. Customer to verify nozzle sizes, locations and quantities.
- H. Saddles/skids may require shimming or grouting during installation.

\*All pages of this Schedule A are incorporated by reference and are a part of the additional terms of the Master Terms & Conditions of Sale.  
[www.newberrytanks.com/masterterms.pdf](http://www.newberrytanks.com/masterterms.pdf)

APPROVAL FOR CONSTRUCTION SCHEDULE A - MASTER TERMS & CONDITION OF SALE*		SALES ORDER: -		WEIGHT (LBS): 1830
<input type="checkbox"/> APPROVED AS DRAWN. <input type="checkbox"/> APPROVED WITH NOTED CHANGES, CONSTRUCTION WILL BE SCHEDULED WHEN SIGNED DRAWING AND CONFIRMED ORDER ARE RECEIVED.		 <a href="http://www.clarionmunicipal.com">www.clarionmunicipal.com</a>		
SIGNATURE: _____ DATE: _____		DESCRIPTION: 1000 Gallon 48" I.D. x 11'-0" O.A.L. Double Wall Skid Tank		
CUSTOMER: _____		P.O.# _____		DRAWN BY: AG
DATE: 10/1/2022	SCALE: _____	DWG.# NB01000DWS04810G	SHEET 1 OF 1	