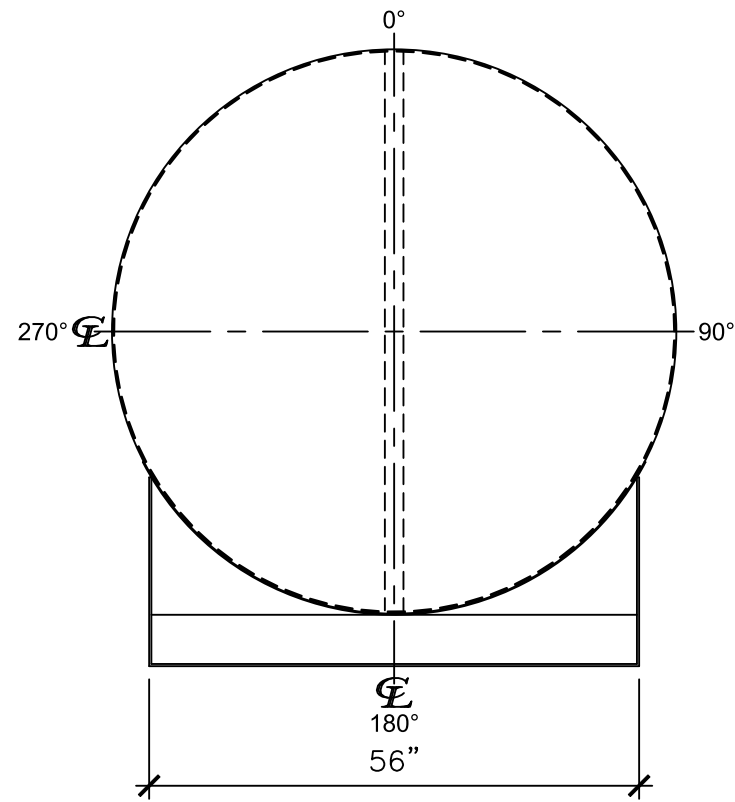
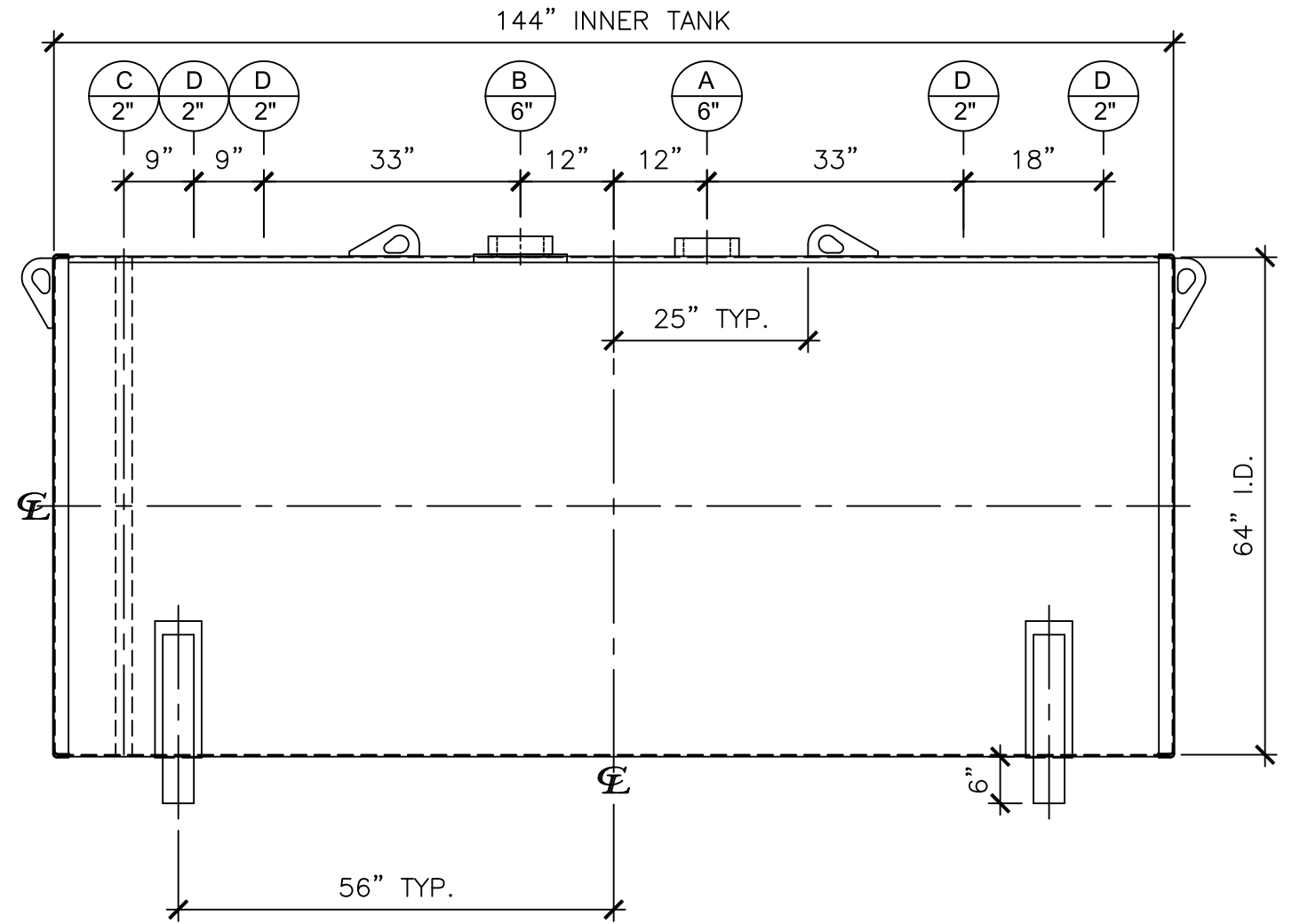


NOZZLE SCHEDULE

ITEM	SIZE	RATING	TYPE	MATL	PROJ. IN	PROJ. OUT	REMARKS	NOTES
A	6"	N.P.T.	H.CPL.	C.S.	STD.	STD.	PRIMARY	EMERGENCY VENT OPENING
B	6"	N.P.T.	H.CPL.	C.S.	STD.	STD.	SECONDARY	EMERGENCY VENT OPENING
C	2"	N.P.T.	M.F.	C.S.	STD.	STD.	-	MONITORING PORT
D	2"	N.P.T.	W.F.	C.S.	STD.	STD.	-	-



LEFT SIDE



FRONT VIEW

NOTES:

- A. Material: H.R. Carbon Steel.
- B. Design Pressure: Atmospheric.
- C. Design Temperature: Ambient.
- D. Built & Labeled per U.L. #142 & SwRI 97-04 specifications.
- E. Exterior: Blast & Apply one shop coat WHITE enamel.
- F. All Fittings to be protected for shipment.
- G. Customer to verify Nozzle sizes, locations, and quantities.
- H. Saddles/Skids may require shimming or grouting during installation.

APPROVAL FOR CONSTRUCTION SCHEDULE A - MASTER TERMS & CONDITION OF SALE*		SALES ORDER:		WEIGHT (LBS): 3750
<input type="checkbox"/> APPROVED AS DRAWN.		 All units inches unless stated otherwise		
<input type="checkbox"/> APPROVED WITH NOTED CHANGES. CONSTRUCTION WILL BE SCHEDULED WHEN SIGNED DRAWING AND CONFIRMED ORDER ARE RECEIVED.		www.clarionmunicipal.com		
SIGNATURE: _____		DESCRIPTION: 2000 GALLON 64" I.D. x 12'-0" O.A.L. FLAMESHIELD BRACKET TANK		
DATE: _____		CUSTOMER: _____		P.O.# _____
DATE: 10/26/23	SCALE: _____	DWG.# NB02000FSD06407G	DRAWN BY: WR	
				SHEET 1 OF 1