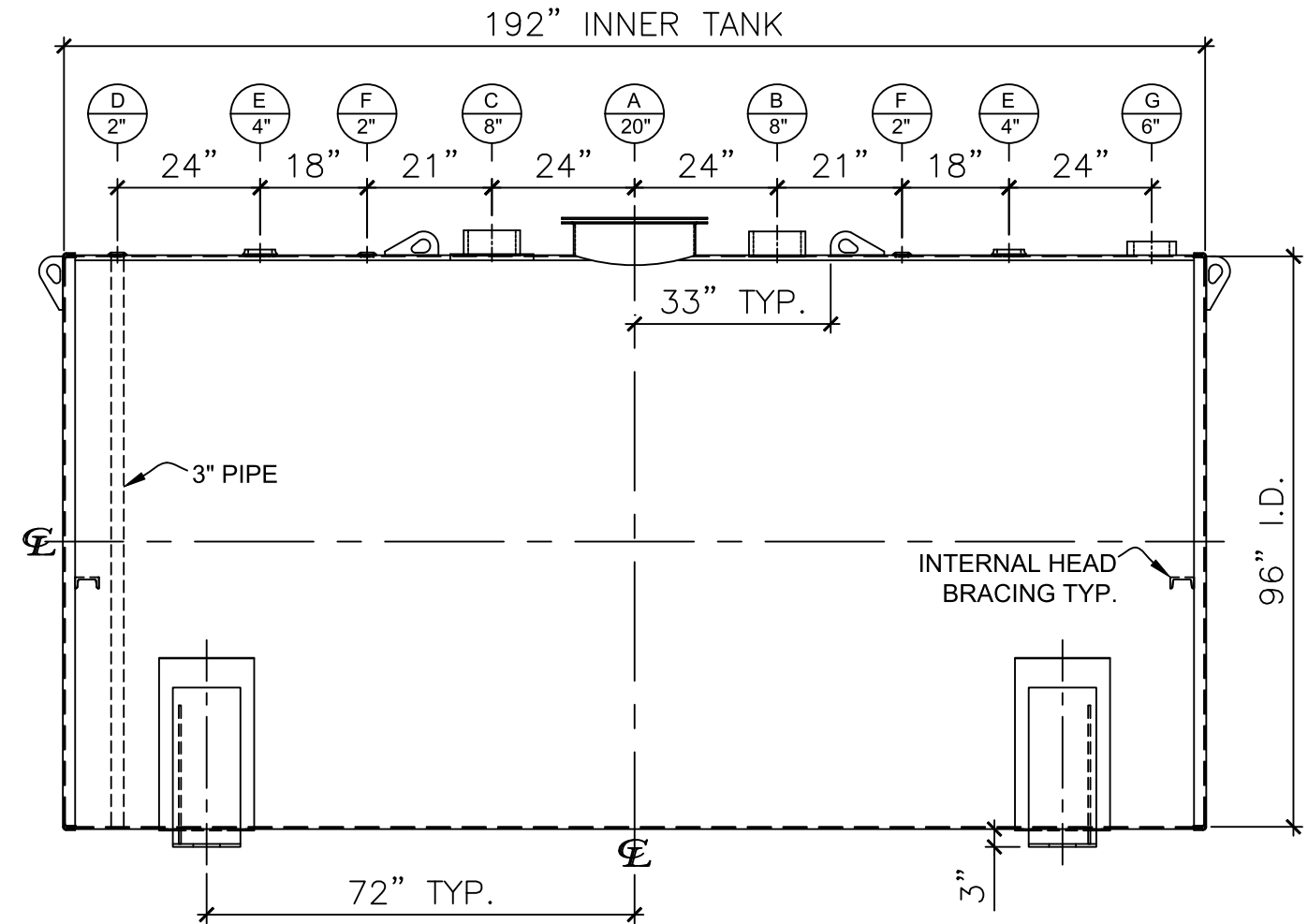
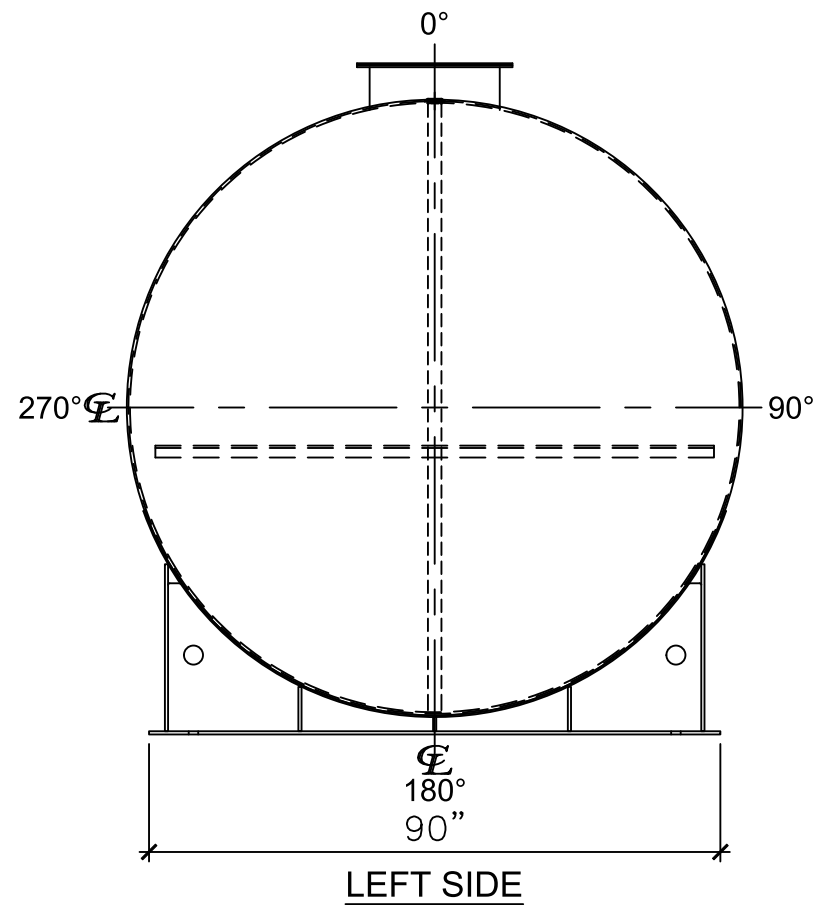


NOZZLE SCHEDULE

ITEM	SIZE	RATING	TYPE	MATL	PROJ. IN	PROJ. OUT	REMARKS	NOTES
A	20"	U.L.	M.W.	C.S.	STD.	STD.	SINGLE PUNCHED	TIGHT BOLTED
B	8"	N.P.T.	H.CPL.	C.S.	STD.	STD.	PRIMARY	EMERGENCY VENT OPENING
C	8"	N.P.T.	H.CPL.	C.S.	STD.	STD.	SECONDARY	EMERGENCY VENT OPENING
D	2"	N.P.T.	M.F.	C.S.	STD.	STD.	-	MONITORING PORT
E	4"	N.P.T.	W.F.	C.S.	STD.	STD.	-	-
F	2"	N.P.T.	W.F.	C.S.	STD.	STD.	-	-
G	6"	N.P.T.	H.CPL.	C.S.	STD.	STD.	-	-



NOTES:

- A. Material: H.R. Carbon Steel.
- B. Design Pressure: Atmospheric.
- C. Design Temperature: Ambient.
- D. Built & Labeled per U.L. #142 & SwRI 97-04 specifications.
- E. Exterior: Blast & Apply one shop coat WHITE enamel.
- F. All Fittings to be protected for shipment.
- G. Customer to verify Nozzle sizes, locations, and quantities.
- H. Saddles/Skids may require shimming or grouting during installation.

APPROVAL FOR CONSTRUCTION SCHEDULE A - MASTER TERMS & CONDITION OF SALE		SALES ORDER:		WEIGHT (LBS): 10120
<input type="checkbox"/> APPROVED AS DRAWN.		www.clarionmunicipal.com		
<input type="checkbox"/> APPROVED WITH NOTED CHANGES. CONSTRUCTION WILL BE SCHEDULED WHEN SIGNED DRAWING AND CONFIRMED ORDER ARE RECEIVED.		DESCRIPTION: 6000 GALLON 96" I.D. x 16'-0" O.A.L. DOUBLE WALL FLAMESHIELD TANK		
SIGNATURE: _____ DATE: _____		CUSTOMER: _____		P.O.# _____
DATE: 11/27/23	SCALE: _____	DWG.# NB06000FSD096250	DRAWN BY: WR SHEET 1 OF 1	