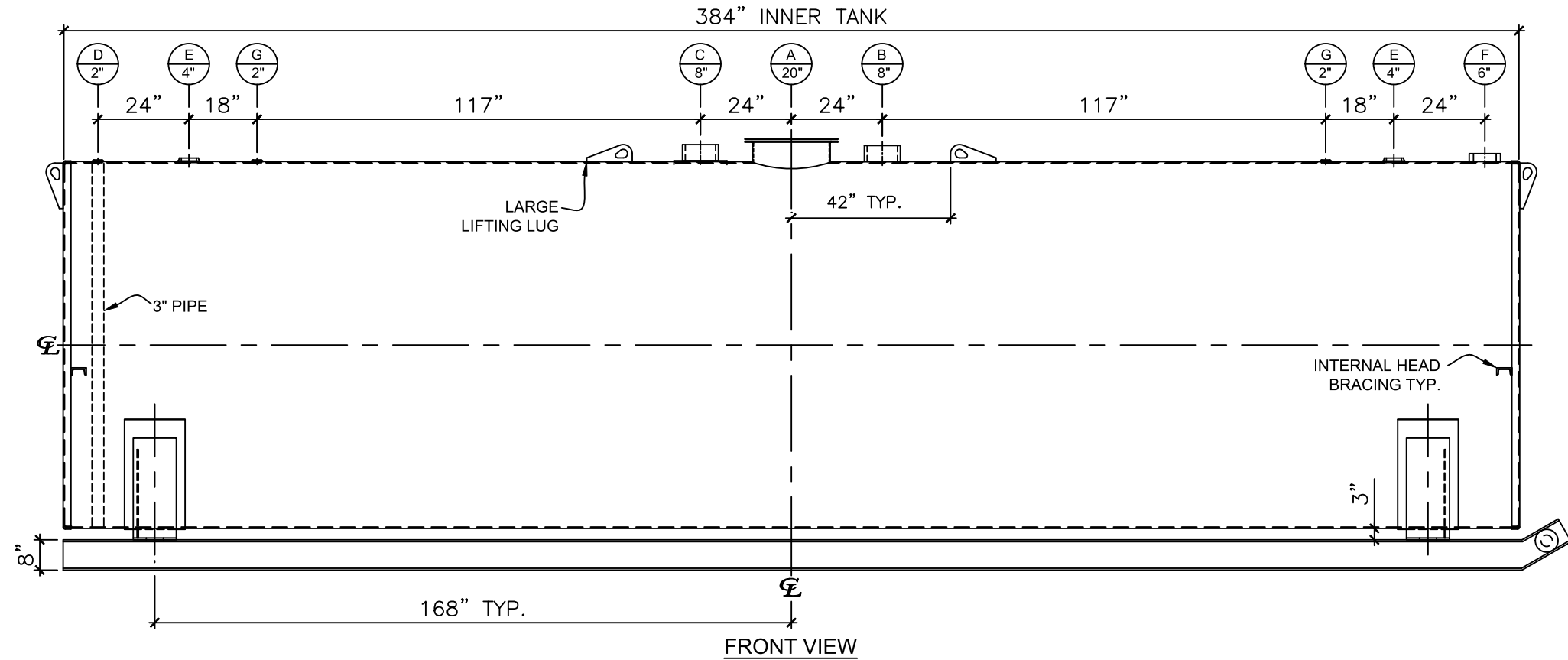
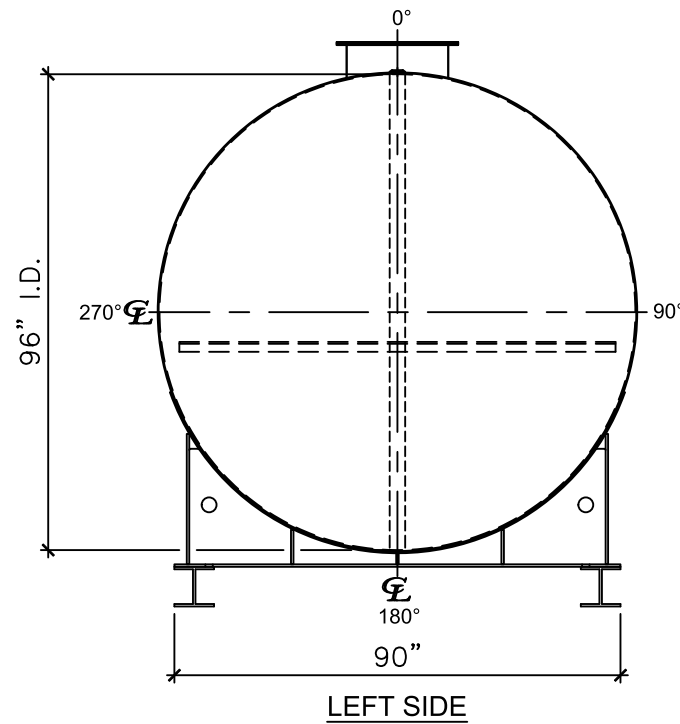


NOZZLE SCHEDULE

ITEM	SIZE	RATING	TYPE	MATL	REMARKS	NOTES
A	20"	U.L.	M.W.	C.S.	SINGLE PUNCHED	TIGHT BOLTED
B	8"	N.P.T.	H.CPL.	C.S.	PRIMARY	EMERGENCY VENT OPENING
C	8"	N.P.T.	H.CPL.	C.S.	SECONDARY	EMERGENCY VENT OPENING
D	2"	N.P.T.	M.F.	C.S.	-	MONITORING PORT
E	4"	N.P.T.	W.F.	C.S.	-	-
F	6"	N.P.T.	H.CPL.	C.S.	-	-
G	2"	N.P.T.	W.F.	C.S.	-	-



NOTES:

- A. Material: H.R. Carbon Steel.
- B. Design Pressure: Atmospheric.
- C. Design Temperature: Ambient.
- D. Built & labeled per U.L. #142.
- E. Exterior: Gray primer included; see Sales Order for top coat.
- F. All fittings to be protected for shipment.
- G. Customer to verify nozzle sizes, locations, and quantities.
- H. Saddles/skids may require shimming or grouting during installation.

APPROVAL FOR CONSTRUCTION SCHEDULE A - MASTER TERMS & CONDITION OF SALE*		SALES ORDER:		WEIGHT (LBS): 19096
<input type="checkbox"/> APPROVED AS DRAWN.		All units inches unless stated otherwise		
<input type="checkbox"/> APPROVED WITH NOTED CHANGES. CONSTRUCTION WILL BE SCHEDULED WHEN SIGNED DRAWING AND CONFIRMED ORDER ARE RECEIVED.		www.clarionmunicipal.com		
SIGNATURE: _____		DESCRIPTION: 12000 GALLON 96" I.D. x 32'-0" O.A.L. DOUBLE WALL SKID TANK		
DATE: _____		CUSTOMER: _____		P.O.# _____
DATE: 09/21/23	SCALE: _____	DWG.# NB12000DWS096250	DRAWN BY: WR SHEET 1 OF 1	