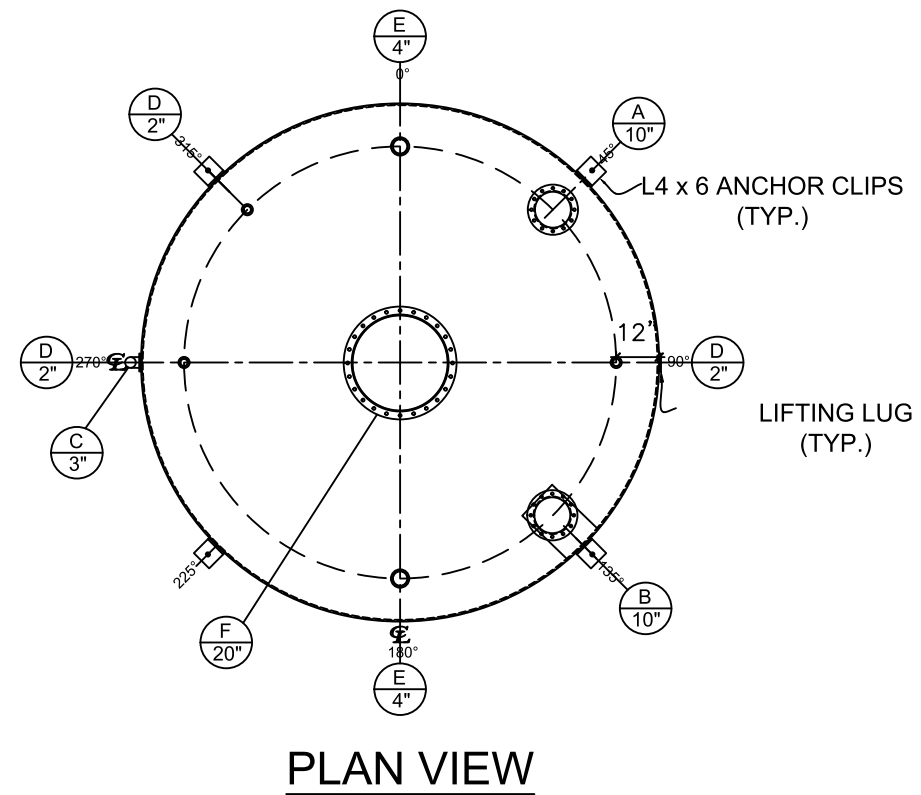


NOZZLE SCHEDULE								
ITEM	SIZE	RATING	TYPE	MATL	PROJ. IN	PROJ. OUT	REMARKS	NOTES
A	10"	N.P.T.	FLANGED	C.S.	STD.	STD.	PRIMARY	EMERGENCY VENT OPENING
B	10"	N.P.T.	FLANGED	C.S.	STD.	STD.	SECONDARY	EMERGENCY VENT OPENING
C	3"	N.P.T.	PIPE	C.S.	STD.	STD.	-	MONITORING PORT
D	2"	N.P.T.	CPL.	C.S.	STD.	STD.	-	-
E	4"	N.P.T.	CPL.	C.S.	STD.	STD.	-	-
F	20"	N.P.T.	MANWAY	C.S.	STD.	STD.	TIGHT BOLTED	SINGLE PUNCHED



**NOTES:**

- A. Material: H.R. Carbon Steel.
- B. Design Pressure: Atmospheric.
- C. Design Temperature: Ambient.
- D. Built & labeled per U.L. spec. #142.
- E. Exterior: One coat gray primer. See sales order for top coat.
- F. All fittings to be protected for shipment.
- G. Customer to verify nozzle sizes, locations and quantities.

APPROVAL FOR CONSTRUCTION SCHEDULE A - MASTER TERMS & CONDITION OF SALE		<b>SALES ORDER:-</b>		WEIGHT (LBS): 22500
<input type="checkbox"/> APPROVED AS DRAWN.		 www.clarionmunicipal.com		
<input type="checkbox"/> APPROVED WITH NOTED CHANGES. CONSTRUCTION WILL BE SCHEDULED WHEN SIGNED DRAWING AND CONFIRMED ORDER ARE RECEIVED.		<b>DESCRIPTION:</b> 20,000 Gallon 144" I.D. x 24'-0" Shell Height Double Wall Vertical Tank		
SIGNATURE: _____ DATE: _____		CUSTOMER: _____		P.O.# _____
DATE: 4/6/2023	SCALE: _____	DWG.# NB20000DWV144250	DRAWN BY: AJC SHEET 1 OF 1	