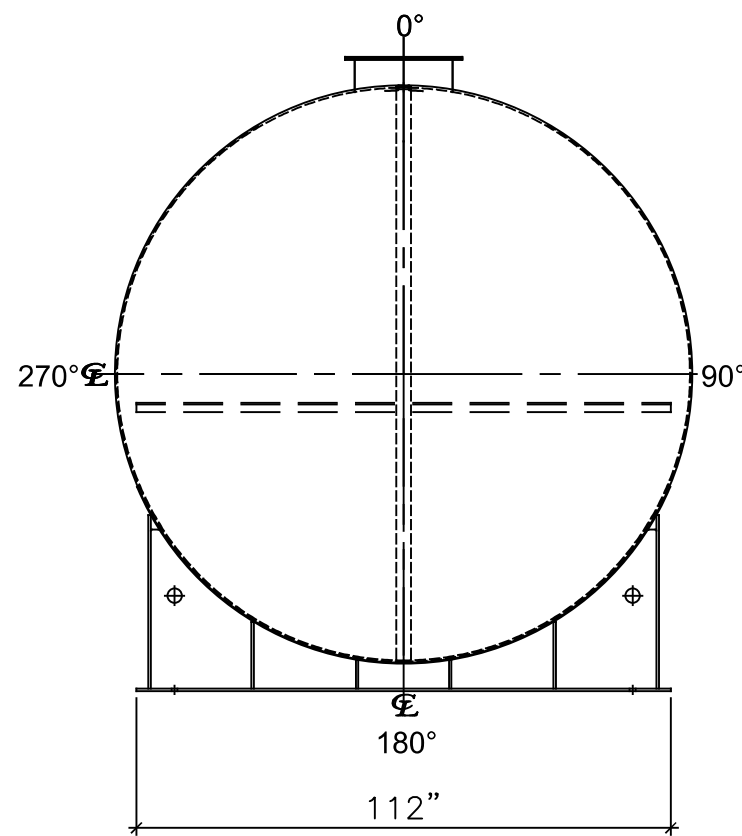
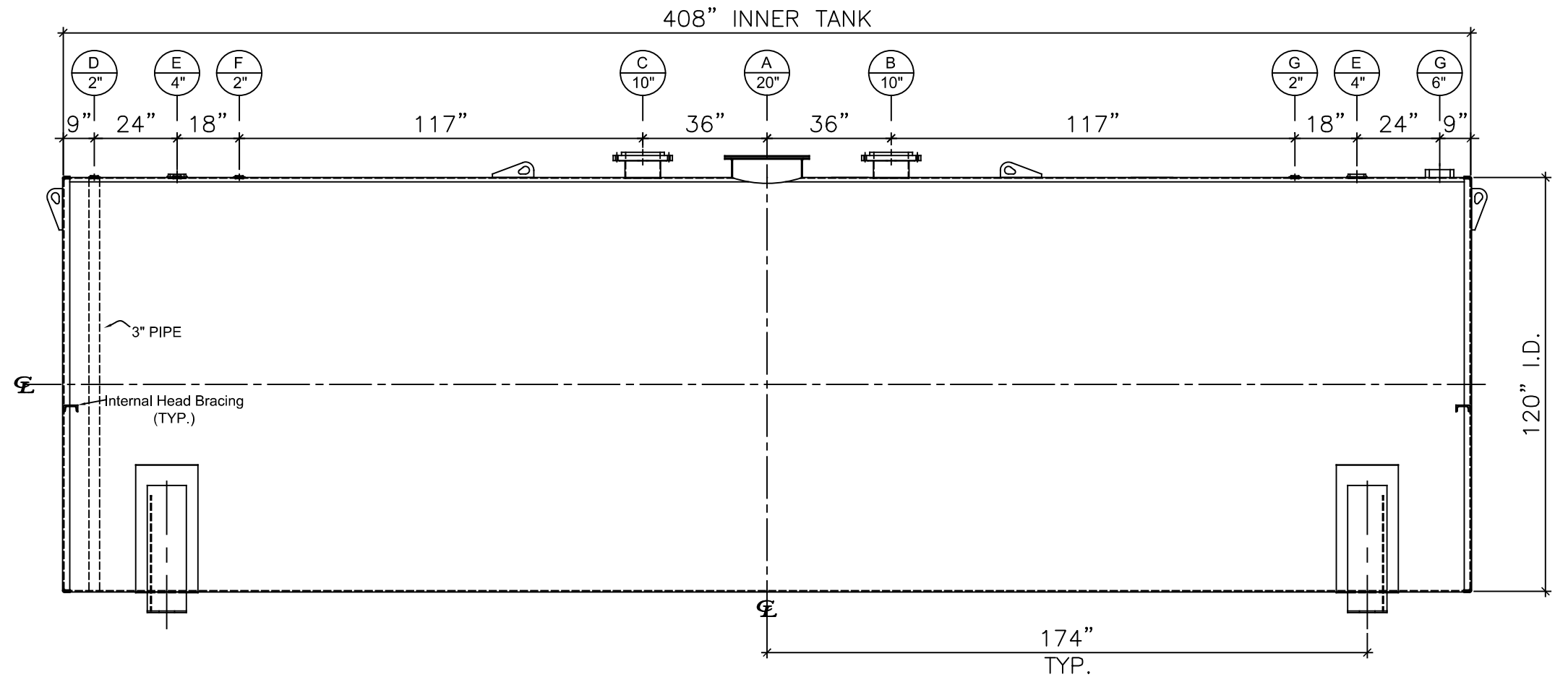


NOZZLE SCHEDULE

ITEM	SIZE	RATING	TYPE	MATL	REMARKS	NOTES
A	20"	U.L.	M.W.	C.S.	SINGLE PUNCHED	TIGHT BOLTED
B	10"	U.L.	ADPT.	C.S.	PRIMARY	EMERGENCY VENT OPENING
C	10"	U.L.	ADPT.	C.S.	SECONDARY	EMERGENCY VENT OPENING
D	2"	N.P.T.	M.F.	C.S.	-	MONITORING PORT
E	4"	N.P.T.	W.F.	C.S.	-	-
F	2"	N.P.T.	W.F.	C.S.	-	-
G	6"	N.P.T.	H.CPL.	C.S.	-	-



LEFT SIDE



FRONT VIEW

NOTES:

- A. Material: H.R. Carbon Steel.
- B. Design Pressure: Atmospheric.
- C. Design Temperature: Ambient.
- D. Built & labeled per U.L. #142 & SwRI 97-04 specifications.
- E. Exterior: Blast & apply one shop coat WHITE enamel.
- F. All fittings to be protected for shipment.
- G. Customer to verify nozzle sizes, locations and quantities.
- H. Saddles/skids may require shimming or grouting during installation.

APPROVAL FOR CONSTRUCTION SCHEDULE A - MASTER TERMS & CONDITION OF SALE*		SALES ORDER:		WEIGHT (LBS): 28000
<input type="checkbox"/> APPROVED AS DRAWN.		www.clarionmunicipal.com		
<input type="checkbox"/> APPROVED WITH NOTED CHANGES. CONSTRUCTION WILL BE SCHEDULED WHEN SIGNED DRAWING AND CONFIRMED ORDER ARE RECEIVED.		DESCRIPTION: 20,000 Gallon 120" I.D. x 34'-0" O.A.L. Double Wall Flameshield Tank		
SIGNATURE: _____ DATE: _____		CUSTOMER:		P.O.#
DATE: 3/8/2023	SCALE:	DWG.# NB20000FSD120250	DRAWN BY: AJC SHEET 1 OF 1	