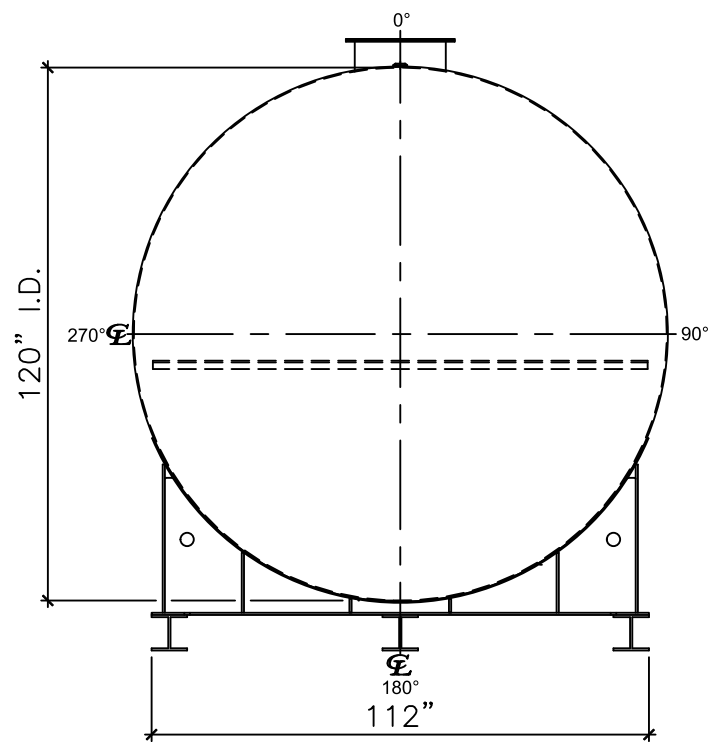
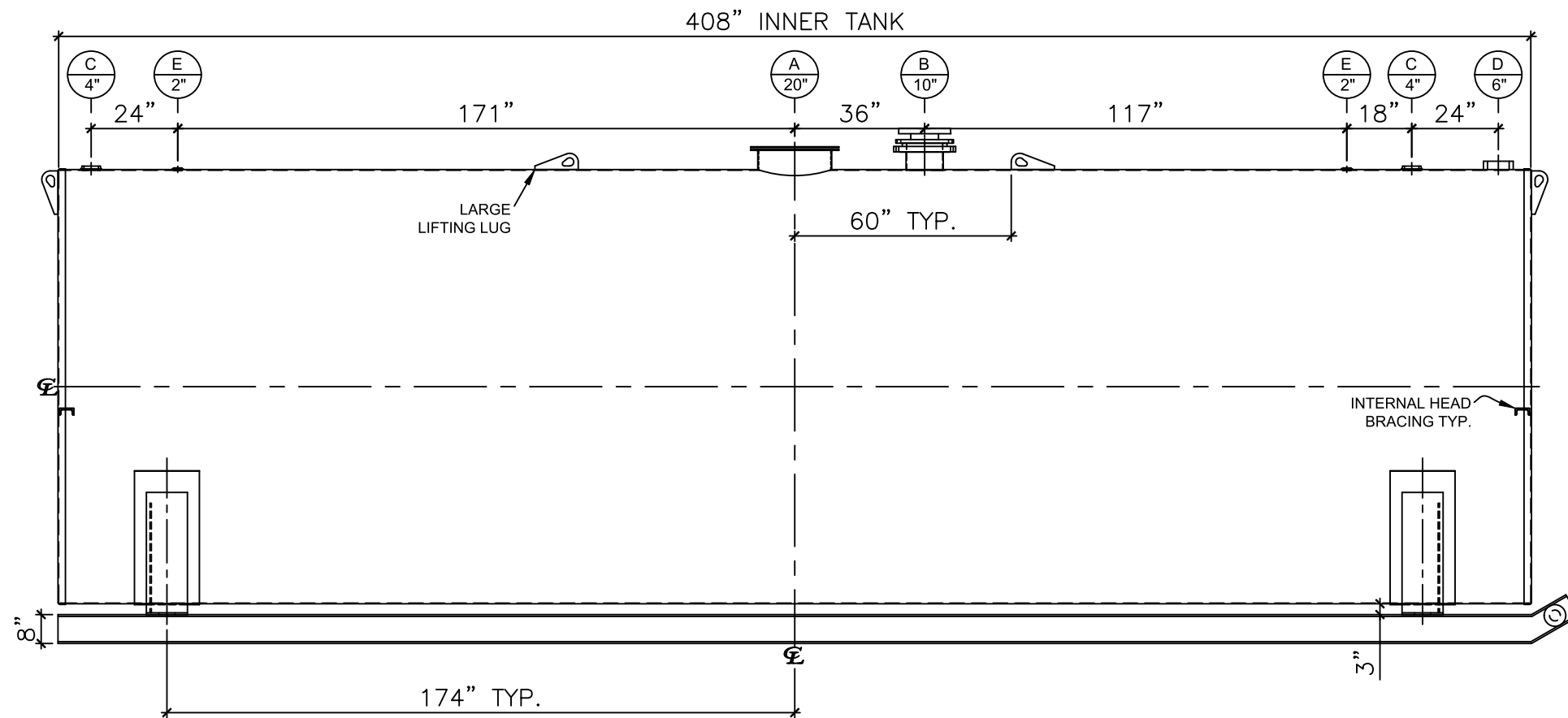


**NOZZLE SCHEDULE**

ITEM	SIZE	RATING	TYPE	MATL	REMARKS	NOTES
A	20"	U.L.	M.W.	C.S.	SINGLE PUNCHED	TIGHT BOLTED
B	10"	U.L.	ADPT.	C.S.	PRIMARY	EMERGENCY VENT OPENING
C	4"	N.P.T.	W.F.	C.S.	-	-
D	6"	N.P.T.	H.CPL.	C.S.	-	-
E	2"	N.P.T.	W.F.	C.S.	-	-



**LEFT SIDE**



**FRONT VIEW**

**NOTES:**

- A. Material: H.R. Carbon Steel.
- B. Design Pressure: Atmospheric.
- C. Design Temperature: Ambient.
- D. Built & labeled per U.L. #142.
- E. Exterior: Gray primer included; see Sales Order for top coat.
- F. All fittings to be protected for shipment.
- G. Customer to verify nozzle sizes, locations, and quantities.
- H. Saddles/skids may require shimming or grouting during installation.

APPROVAL FOR CONSTRUCTION SCHEDULE A - MASTER TERMS & CONDITION OF SALE*		<b>SALES ORDER:</b>	
<input type="checkbox"/> APPROVED AS DRAWN.		All units inches unless stated otherwise	
<input type="checkbox"/> APPROVED WITH NOTED CHANGES. CONSTRUCTION WILL BE SCHEDULED WHEN SIGNED DRAWING AND CONFIRMED ORDER ARE RECEIVED.		www.clarionmunicipal.com	
SIGNATURE: _____		DESCRIPTION: <b>20000 GALLON 120" I.D. x 34'-0" O.A.L. SINGLE WALL SKID TANK</b>	
DATE: _____		CUSTOMER: _____ P.O.# _____	
DATE: 08/30/23	SCALE:	DWG.# NB20000SWS120250	DRAWN BY: WR SHEET 1 OF 1