

8 7 6 5 4 3 2 1

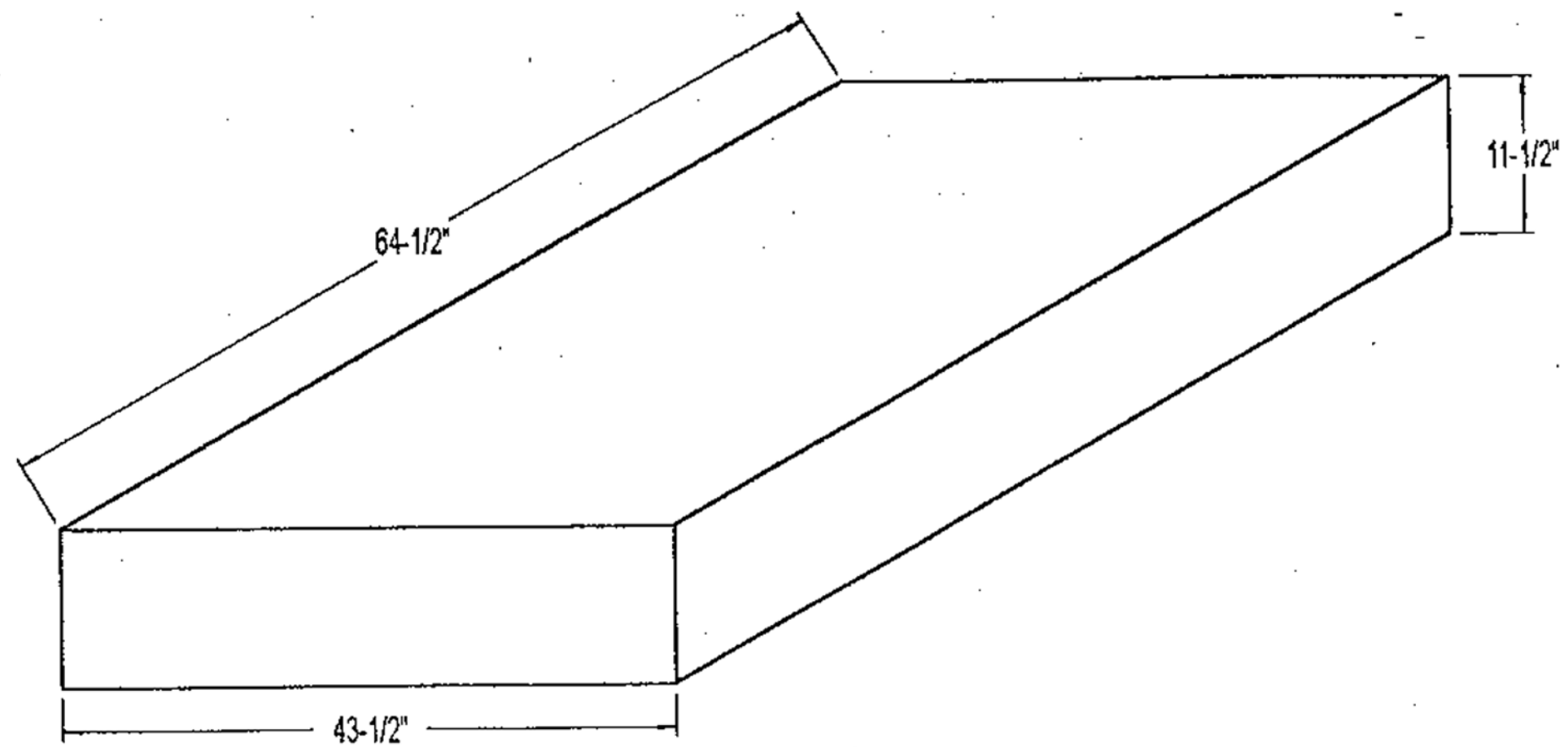
D D

C C

B B

A A

8 7 6 5 4 3 2 1



		UNLESS OTHERWISE SPECIFIED:		NAME	DATE	ONE CLARION INC.	
		DIMENSIONS ARE IN INCHES		DRAWN		TITLE:	
		TOLERANCES:		CHECKED		135 GALLON WATER TANK	
		FRACTIONAL ±		ENG APPR.		SIZE	
		ANGULAR: MACH ± BEND ±		MFG APPR.		DWG. NO.	
		TWO PLACE DECIMAL ±		Q.A.		REV	
		THREE PLACE DECIMAL ±		COMMENTS:		W-239	
		INTERPRET GEOMETRIC TOLERANCING PER:				WEIGHT:	
		MATERIAL				SHEET 1 OF 1	
		FINISH					
NEXT ASSY	USED ON						
APPLICATION		DO NOT SCALE DRAWING					