

8 7 6 5 4 3 2 1

D

D

C

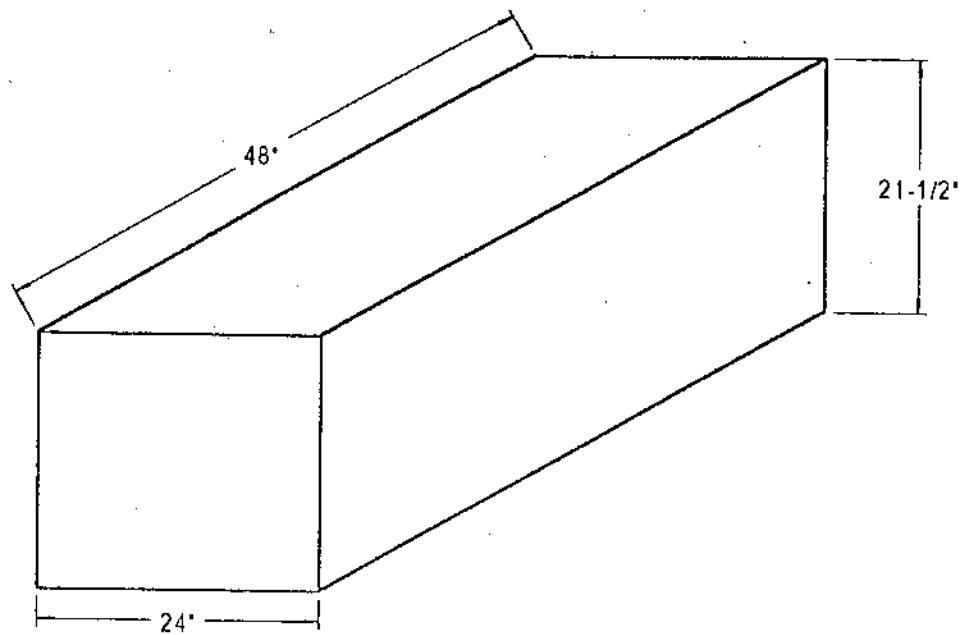
C

B

B

A

A



		UNLESS OTHERWISE SPECIFIED:		NAME	DATE	ONE CLARION INC.	
		DIMENSIONS ARE IN INCHES TOLERANCES: FRACTIONAL ± ANGULAR: MACH ± BEND ± TWO PLACE DECIMAL ± THREE PLACE DECIMAL ±		DRAWN		TITLE:	
		INTERPRET GEOMETRIC TOLERANCING PER:		CHECKED		107 GALLON WATER TANK	
		MATERIAL		ENG APPR.		SIZE DWG. NO. REV	
NEXT ASSY	USED ON	FINISH		MFG APPR.		B W-88	
APPLICATION		DO NOT SCALE DRAWING		Q.A.		WEIGHT: SHEET 1 OF 1	
				COMMENTS:			

8 7 6 5 4 3 2 1