

8 7 6 5 4 3 2 1

D

D

C

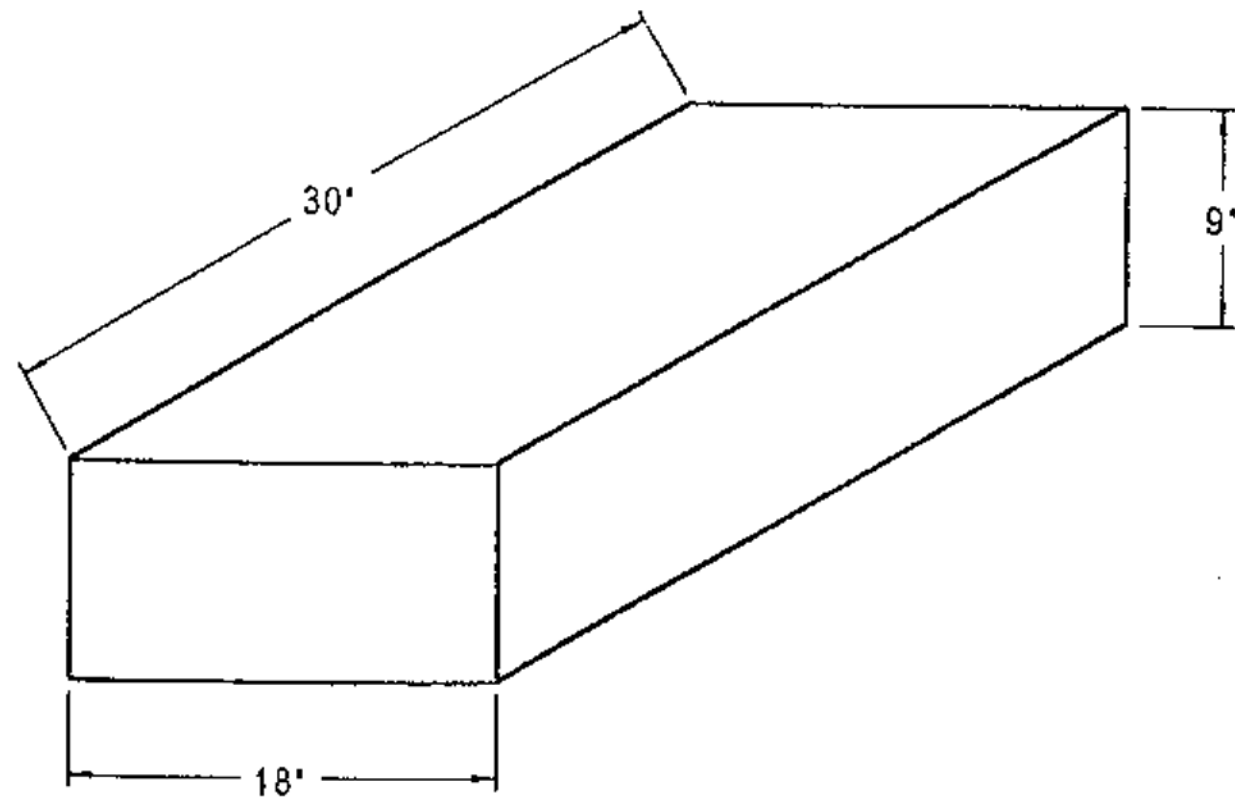
C

B

B

A

A



		UNLESS OTHERWISE SPECIFIED:		NAME	DATE	ONE CLARION INC.	
		DIMENSIONS ARE IN INCHES	DRAWN			TITLE:	
		TOLERANCES:	CHECKED			20 GALLON WATER TANK	
		FRACTIONAL ±	ENG APPR.			Q.A.	
		ANGULAR: MACH ± BEND ±	MFG APPR.			COMMENTS:	
		TWO PLACE DECIMAL ±				SIZE	DWG. NO.
		THREE PLACE DECIMAL ±				B	W-95
		INTERPRET GEOMETRIC TOLERANCING PER:					REV
		MATERIAL					
		FINISH					
NEXT ASSY	USED ON						
APPLICATION		DO NOT SCALE DRAWING				WEIGHT:	SHEET 1 OF 1

8 7 6 5 4 3 2 1