

# Site Preparation

## Instructions

The tank pad diameter must be at least six feet larger than the diameter of the tank for installation.

1. Remove all loam, vegetation and sharp
2. objects from the tank pad location.
3. Wherever possible, the tank site should be
4. excavated into natural ground.
5. When excavating a site, adequate drainage
6. must be installed to allow water to be diverted
7. around the tank.
8. When using fill to level a tank site, adequate
9. retaining must be constructed to maintain pad
10. integrity.
11. Tank base material must be crushed stone or
12. similar, with a maximum particle size of 0.25"
13. The tank base must be at least 3" thick and
14. level within 1/2"
15. Once the tank base is complete, ensure any
16. damage by vehicles or livestock is adequately
17. repaired.

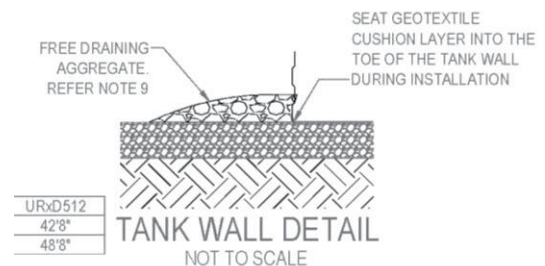
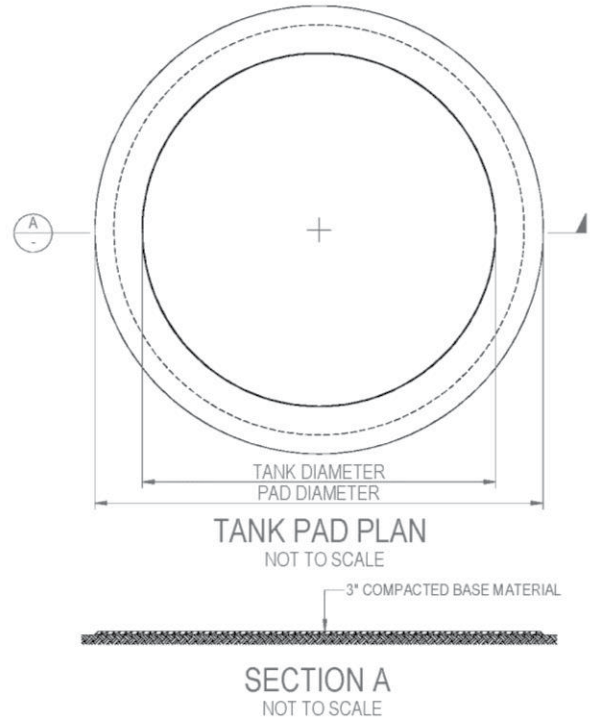
## On the day of installation

The customer is required to have available:

- Someone to advise the orientation of the fittings prior to installation starting
- Sufficient water to fill 10% of the tank volume while the installer is on site

## **IMPORTANT**

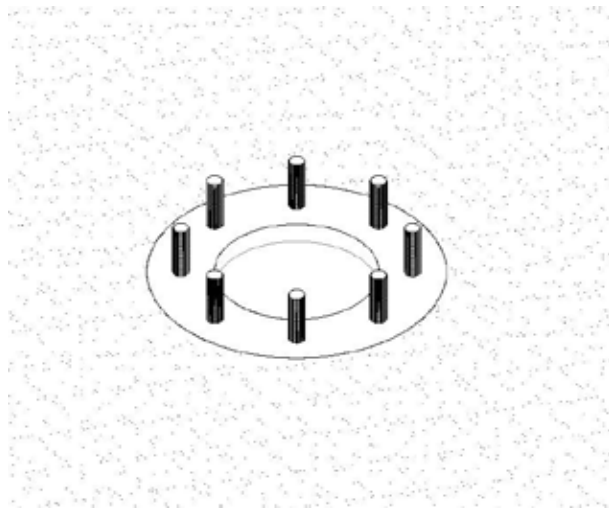
Once the tank installation is complete, place a layer of free-draining aggregate around the perimeter of the tank to reduce base erosion.



# Scour Drain Installation

## Prior to installation

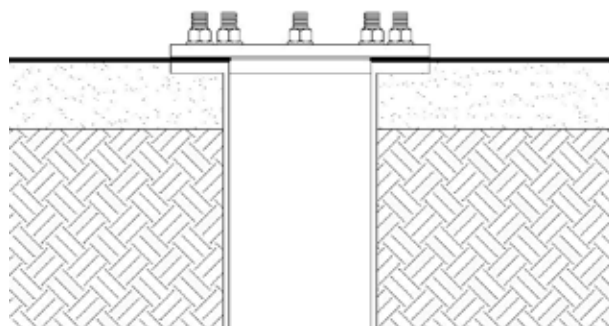
- Excavate pipework trench in planned scour location.
- Lay scour pipework at least 12" below the planned base level on a suitably compacted base to minimise settlement.
- Finished the scour flange flush with the prepared tank base level.
- Studs must be at least 2' long, threaded within 1/8" of flange.
- Backfill trench after pipework installation with suitable engineering fill and compact accordingly.



*Finished studded flange prior to liner installation, flush with base level, studs 2" long minimum*

## Scour drain installation

1. Wrap exposed studs with geotextile offcuts or similar to protect liner during installation.
2. Install tank structure as normal.
3. Position the geotextile underlay as normal. After installation, find the studs, cut a hole around each one and push studs through the geotextile layer. Cut center hole last.
4. When installing the liner, lift the base section over the protruding studs as to not damage the liner.
5. After liner installation, find the studs, cut holes around each one and push studs through the tank liner. Do not cut the center hole at this stage.
6. Remove the geotextile offcuts from studs, place the rubber gasket and sealing flange over the studs.
7. Place a bead of Sika sealant about base of the exposed stud and tighten the washers & nuts onto each one.
8. Cut the center hole in the liner once the sealing flange is firm in place.



*Bolted scour order of assembly: geotextile underlay – tank liner – rubber gasket – sealing flange – sealant – washers & nuts*

### **IMPORTANT**

*Compact the subgrade immediately next to flange to provide a firm, unyielding surface for liner to be placed on. Failure to compact area near flange may create differential settlement and lead to liner bridging and ultimately liner failure.*

