



ULTRATECH
INTERNATIONAL, INC

Ultra-Roof Drip Diverters[®]

Installation Instructions

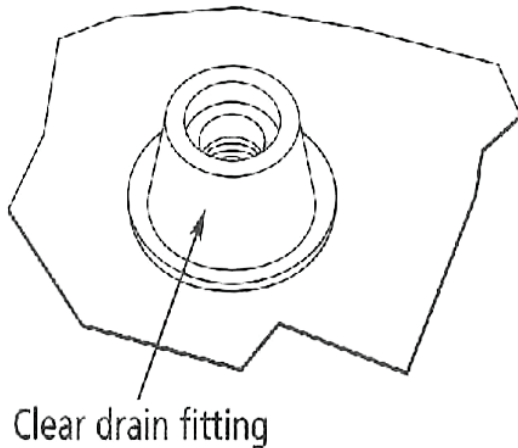
Sold by:
ONE
CLARION

Follow these easy steps to assure maximum effectiveness:
Helpful hint: It is easier to hang the unit prior to attaching the hose assembly.

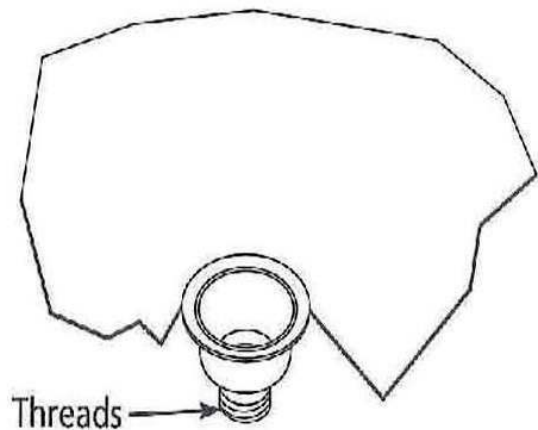
Parts List:

- (1) Drip Diverter with attached clear drain
- (1) Blue Hose Fitting

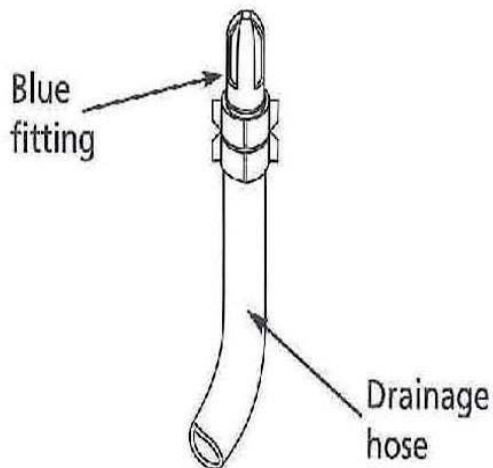
1. Identify clear drain fitting located in the middle of the unit. Note: Clear drain fitting is shipped in the inverted position.



2. From the bottom side of the unit, insert a finger into the center of the clear drain fitting. Pull outward on the inside of the fitting to reveal the external threads.



3. Attach a 3/4" drainage hose (not included) to the blue hose fitting.



4. Attach the hose assembly (blue fitting and 3/4" drainage hose) to the clear drain fitting on the unit.

